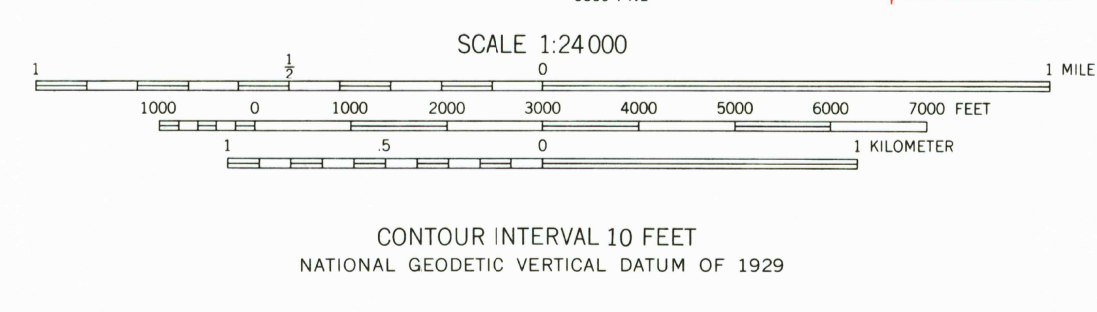
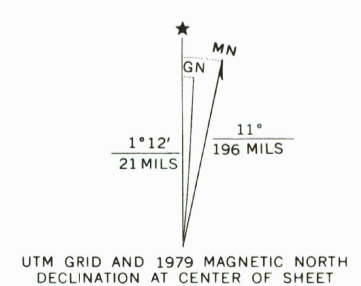


Mapped, edited, and published by the Geological Survey
Control by USGS and USC&GS
Culture and drainage in part compiled from aerial photographs
taken 1947. Topography by plane-table surveys 1953
Polyconic projection, 1927 North American datum
10,000-foot grid based on Colorado coordinate system,
south zone
1000-meter Universal Transverse Mercator grid ticks
zone 13, shown in blue
Dashed land lines indicate approximate locations
Areas covered by dashed light-blue pattern are subject
to controlled inundation
Revisions shown in purple compiled from aerial
photographs taken 1975 and other source data. This
information not field checked. Map edited 1979



ROAD CLASSIFICATION

Heavy-duty	4 LANE 16 LANE	Light-duty
Medium-duty	4 LANE 16 LANE	Unimproved dirt
U.S. Route		State Route

THIS MAP COMPLIES WITH NATIONAL MAP ACCURACY STANDARDS
FOR SALE BY U.S. GEOLOGICAL SURVEY, DENVER, COLORADO 80225, OR RESTON, VIRGINIA 22092
A FOLDER DESCRIBING TOPOGRAPHIC MAPS AND SYMBOLS IS AVAILABLE ON REQUEST

KREYBILL, COLO.
N3800-W10300/7.5
1953
PHOTOREVISED 1979
AMS 5360 II SE—SERIES V877

RETURN TO:
USGS AND HISTORICAL MAP ARCHIVES