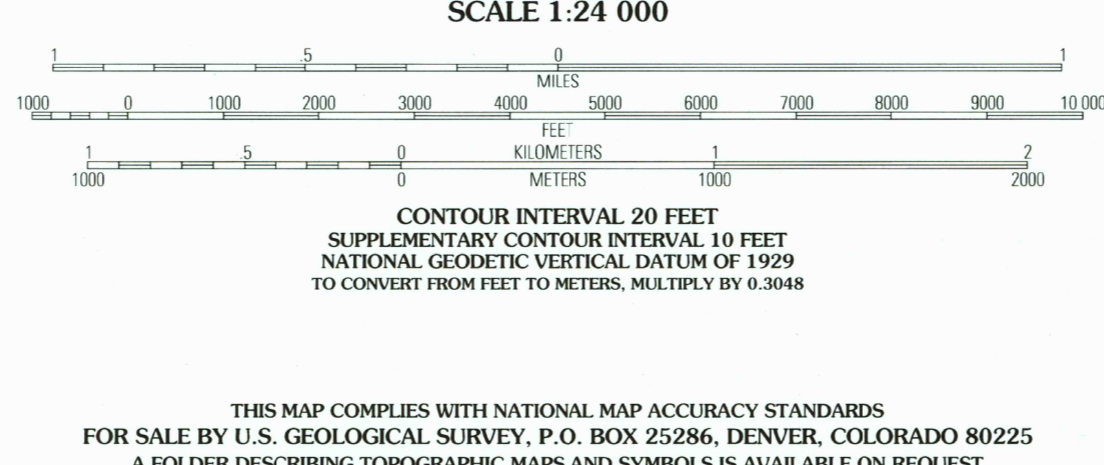
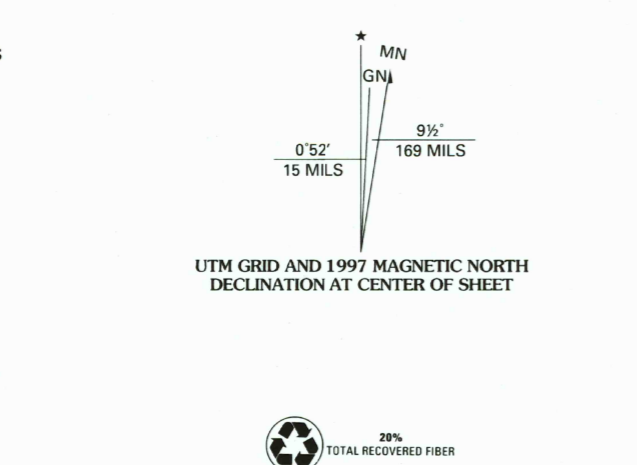


Produced by the United States Geological Survey 1993
 Revision within and adjacent to National Forest System lands
 by USDA Forest Service 1996

Topography compiled 1971. Planimetry derived from imagery taken 1993 and other sources. Public Land Survey System and survey control current as of 1996
 North American Datum of 1927 (NAD 27). Projection and 10 000-foot ticks:
 Colorado coordinate system, south zone (Lambert conformal conic)
 Blue 1000-meter Universal Transverse Mercator ticks, zone 13
 North American Datum of 1983 (NAD 83) is shown by dashed corner ticks
 The values of the shift between NAD 27 and NAD 83 for 7.5-minute intersections are obtainable from National Geodetic Survey NADCON software

Non-National Forest System lands within the National Forest
 Inholdings may exist in other National or State reservations
 This map is not a legal land line or ownership document. Public lands are
 subject to change and leasing, and may have access restrictions; check
 with local offices. Obtain permission before entering private lands



HIGHWAYS AND ROADS

Interstate	Primary highway
U. S.	Secondary highway
State	Light-duty road
County	Composition: Unspecified
National Forest, suitable for passenger cars	Paved
National Forest, suitable for high clearance vehicles	Gravel
National Forest Trail	Dirt
		Unimproved; 4 wheel drive
		Trail
		Gate; Barrier

RILEY CANYON, CO
 1996
 NIMA 5259 II NE - SERIES V877

RECEIVED
 JAN 31 2001
 HISTORICAL MAP ARCHIVE

