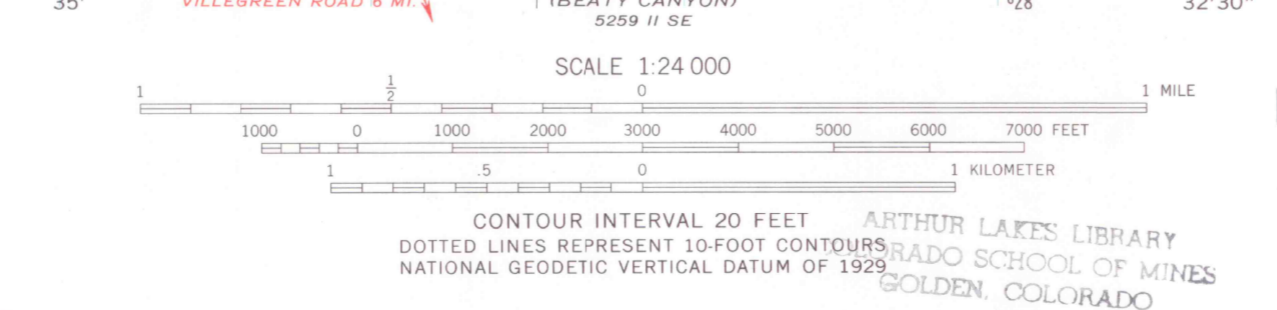
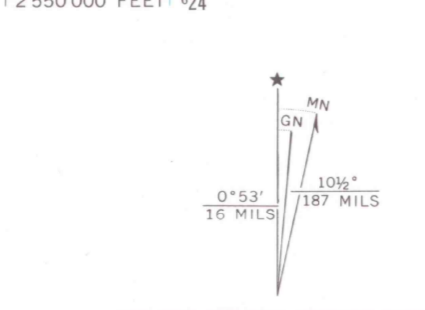


Mapped, edited, and published by the Geological Survey
Control by USGS and NOS/NOAA
Topography by photogrammetric methods from aerial photographs taken 1971. Field checked 1972.
Projection and 10,000-foot grid ticks: Colorado coordinate system, south zone (Lambert conformal conic) 1000-meter Universal Transverse Mercator grid ticks, zone 13, shown in blue. 1927 North American Datum
Fine red dashed lines indicate selected fence lines
To place on the predicted North American Datum 1983 move the projection lines 2 meters north and 44 meters east as shown by dashed corner ticks
Revisions shown in purple and woodland compiled from aerial photographs taken 1983 and other source data. This information not field checked. Map edited 1984



OFFICE COPY
LIBRARY USE ONLY

ROAD CLASSIFICATION

Primary highway, hard surface	Light-duty road, hard or improved surface
Secondary highway, hard surface	Unimproved road

Interstate Route U.S. Route State Route

GEOLOGICAL SURVEY OF WYOMING
RILEY CANYON, COLO. 37103-F5-F024

1972
PHOTOREVISED 1984
DMA 5259 II NE—SERIES V877

LIBRARY DOCUMENT COLLECTION
UNIVERSITY OF WYOMING
NOV 20 1985

THIS MAP COMPLIES WITH NATIONAL MAP ACCURACY STANDARDS
FOR SALE BY U.S. GEOLOGICAL SURVEY, DENVER, COLORADO 80225, OR RESTON, VIRGINIA 22092
A FOLDER DESCRIBING TOPOGRAPHIC MAPS AND SYMBOLS IS AVAILABLE ON REQUEST