

Produced by the United States Geological Survey 1965
Revision by USDA Forest Service 2001

Topography compiled 1964. Planimetry derived from imagery taken 1999 and other sources. Public Land Survey System and survey control current as of 2002. Boundaries current as of 2002

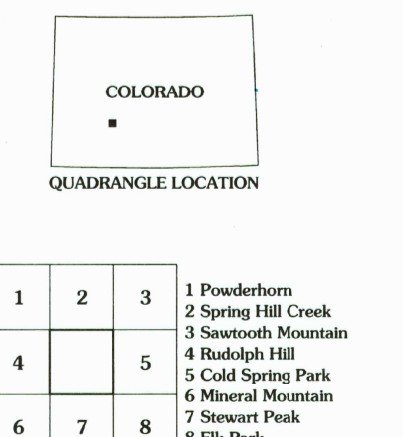
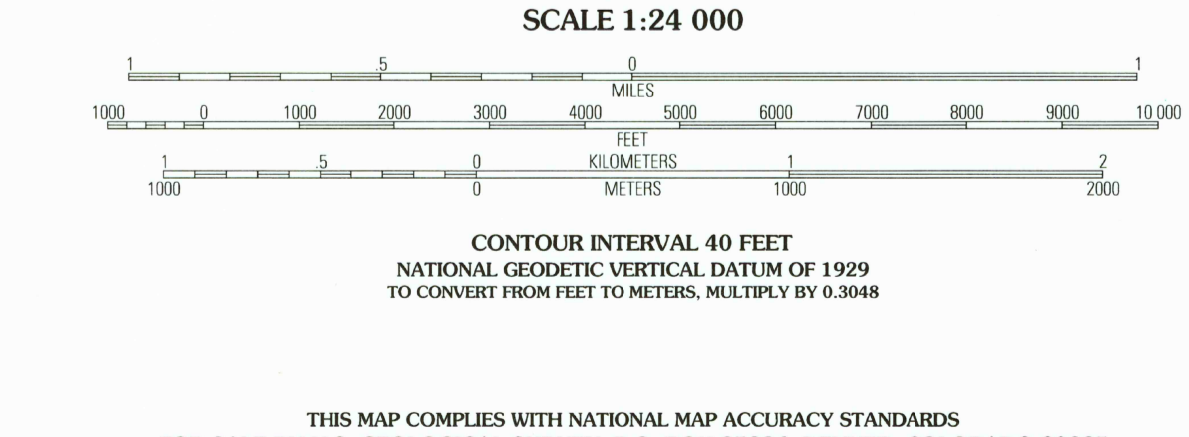
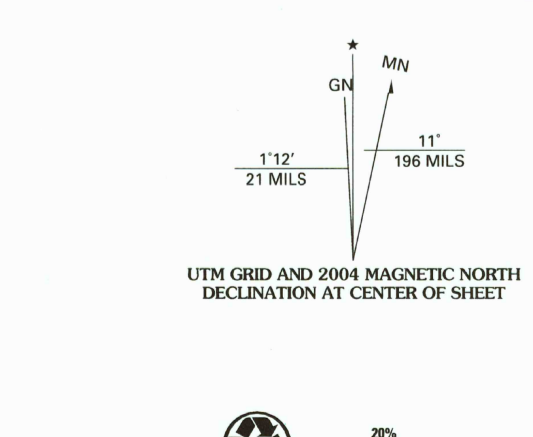
North American Datum of 1927 (NAD 27). Projection and 10 000-foot ticks: Colorado coordinate system, south zone (Lambert conformal conic)

Blue 1000-meter Universal Transverse Mercator ticks, zone 13

North American Datum of 1983 (NAD 83) is shown by dashed corner ticks. The values of the shift between NAD 27 and NAD 83 for 7.5-minute intersections are obtainable from National Geodetic Survey NADCON software

Non-National Forest System lands within the National Forest
Inholdings may exist in other National or State reservations

This map is not a legal land line or ownership document. Public lands are subject to change and leasing, and may have access restrictions; check with local offices. Obtain permission before entering private lands



HIGHWAYS AND ROADS

Interstate	Primary highway	Secondary highway	Light-duty road
U. S.	Composition: Unspecified	Paved	Dirt
State	National Forest, suitable for passenger cars	Gravel	Trail
County	National Forest, suitable for high clearance vehicles	Unimproved: 4 wheel drive	Gate; Barrier
National Forest, suitable for passenger cars	National Forest Trail		

1	2	3	1 Powderhorn
4	5	4	2 Spring Hill Creek
6	7	8	3 Sawtooth Mountain
			4 Ruddle's Hill
			5 Cold Spring Park
			6 Mineral Mountain
			7 Stewart Peak
			8 Elk Park

ADJOINING 7.5' QUADRANGLES

ROCK CREEK PARK, CO
2001
38106-B8-TF-024
NMA 4660 III NW-SERIES V877

JAN 26 2005

USGS Library
Reston, VA.
Topo Archive

