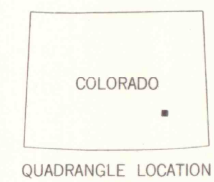
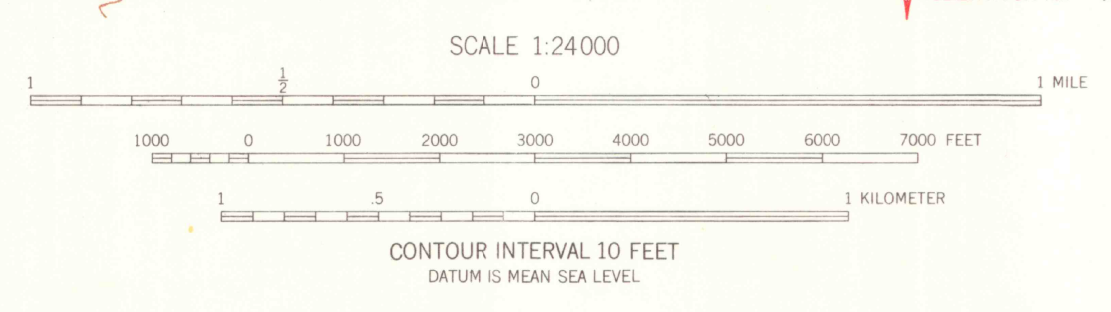


Mapped, edited, and published by the Geological Survey  
Control by USGS and USC&GS  
Culture and drainage in part compiled from aerial photographs  
taken 1947. Topography by plane-table surveys 1955  
Polyconic projection. 1927 North American datum  
10,000-foot grid based on Colorado coordinate system,  
south zone  
Red tint indicates areas in which only  
landmark buildings are shown  
Dashed land lines indicate approximate locations

TRUE NORTH  
MAGNETIC NORTH  
APPROXIMATE MEAN  
DECLINATION, 1955



ROAD CLASSIFICATION  
Medium-duty ——— Light-duty ———  
Unimproved dirt - - - - -  
U.S. Route ——— State Route ———

ROCKY FORD, COLO  
N3800-W10337.5/7.5

LIBRARY USE ONLY

THIS MAP COMPLIES WITH NATIONAL MAP ACCURACY STANDARDS  
FOR SALE BY U.S. GEOLOGICAL SURVEY, DENVER 2, COLORADO OR WASHINGTON 25, D. C.  
A FOLDER DESCRIBING TOPOGRAPHIC MAPS AND SYMBOLS IS AVAILABLE ON REQUEST

1955