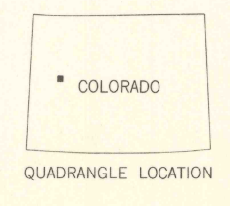
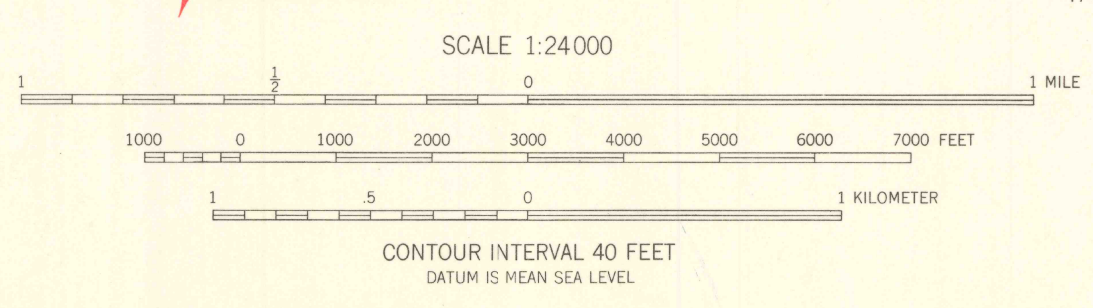
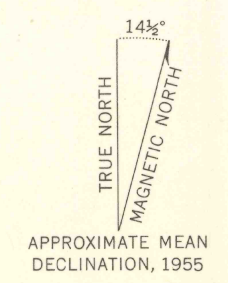




Mapped, edited, and published by the Geological Survey  
Control by USGS and US&GS.  
Topography from aerial photographs by multiplex methods  
Aerial photographs taken 1951. Field check 1955  
Polyconic projection. 1927 North American datum  
10,000-foot grid based on Colorado coordinate system,  
central zone  
Dashed land lines indicate approximate locations  
Certain land lines in T. 11 S. - R. 94 W. omitted because of  
insufficient data. Land lines unsurveyed in T. 11 S. - R. 93 W.



ROAD CLASSIFICATION  
Light duty ————— Unimproved dirt - - - - -

THE MEADOWS, COLO.  
N3907.5—W10745.7.5  
1955

THIS MAP COMPLIES WITH NATIONAL MAP ACCURACY STANDARDS  
FOR SALE BY U.S. GEOLOGICAL SURVEY, DENVER 2, COLORADO OR WASHINGTON 25, D.C.  
A FOLDER DESCRIBING TOPOGRAPHIC MAPS AND SYMBOLS IS AVAILABLE ON REQUEST

U.S. GEOLOGICAL SURVEY  
WASHINGTON  
MAR 18 1957  
LIBRARY