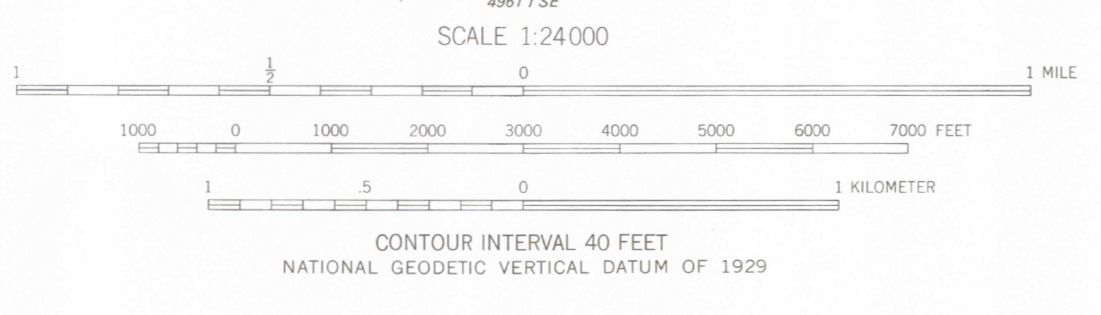
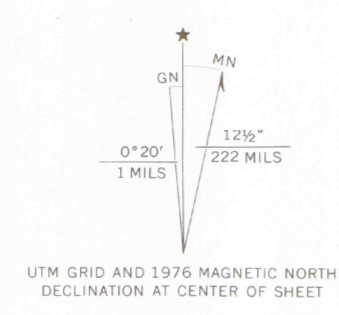


Mapped, edited, and published by the Geological Survey
Control by USGS and NOS/NOAA
Topography from aerial photographs by multiple methods
Aerial photographs taken 1953. Field check 1954
Polyconic projection, 1927 North American datum
10,000-foot grid based on Colorado coordinate system,
central zone
Dashed land lines indicate approximate locations
1000-meter Universal Transverse Mercator grid ticks,
zone 13, shown in blue
Revisions shown in purple compiled from aerial photographs
taken 1976. This information not field checked



ROAD CLASSIFICATION

Primary highway, hard surface	Light duty road, hard or improved surface
Secondary highway, hard surface	Unimproved road
Interstate Route	U. S. Route
	State Route

THIS MAP COMPLIES WITH NATIONAL MAP ACCURACY STANDARDS
FOR SALE BY U. S. GEOLOGICAL SURVEY, DENVER, COLORADO 80225, OR RESTON, VIRGINIA 22092
A FOLDER DESCRIBING TOPOGRAPHIC MAPS AND SYMBOLS IS AVAILABLE ON REQUEST

U. S. GOVT DOCUMENTS
WOODLAND PARK, COLO.
N3852.5-W10500/7.5
1954
PHOTOREVISED 1976
AMS 4961 1 NE-SERIES V877

OFFICE COPY

LIBRARY USE ONLY