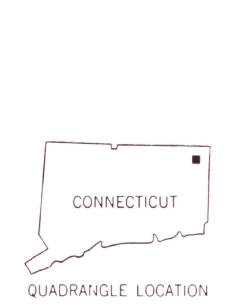
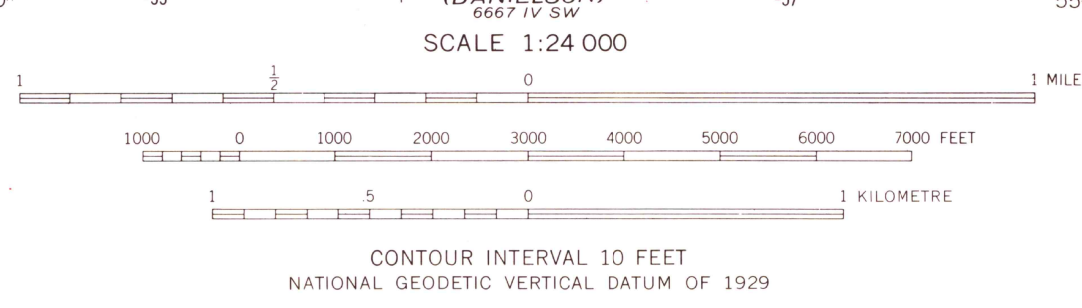
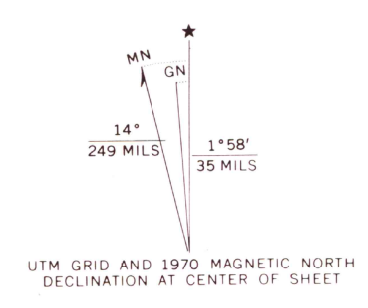


Mapped, edited, and published by the Geological Survey  
Control by USC&GS, USGS, and Connecticut Geodetic Survey  
Topography by planetable surveys 1943. Revised 1955  
Polyconic projection, 1927 North American datum  
10,000-foot grid based on Connecticut coordinate system  
Red tint indicates areas in which only  
landmark buildings are shown  
1000-metre Universal Transverse Mercator grid ticks,  
zone 19, shown in blue  
Revisions shown in purple compiled in cooperation with  
Connecticut Highway Department from aerial photographs  
taken 1970. This information not field checked  
West Thompson Lake is subject to controlled  
floodation to 342 feet



ROAD CLASSIFICATION

Heavy-duty	Light-duty
Medium-duty	Unimproved dirt
U. S. Route	State Route

USCS  
Historical File  
Topographic Division

PUTNAM, CONN.  
N4152.5—W7152.5/7.5

1955  
PHOTOREVISED 1970  
AMS 6667 IV NW—SERIES V816

JUL 0 6 1976

THIS MAP COMPLIES WITH NATIONAL MAP ACCURACY STANDARDS  
FOR SALE BY U. S. GEOLOGICAL SURVEY RESTON, VIRGINIA 22092  
A FOLDER DESCRIBING TOPOGRAPHIC MAPS AND SYMBOLS IS AVAILABLE ON REQUEST