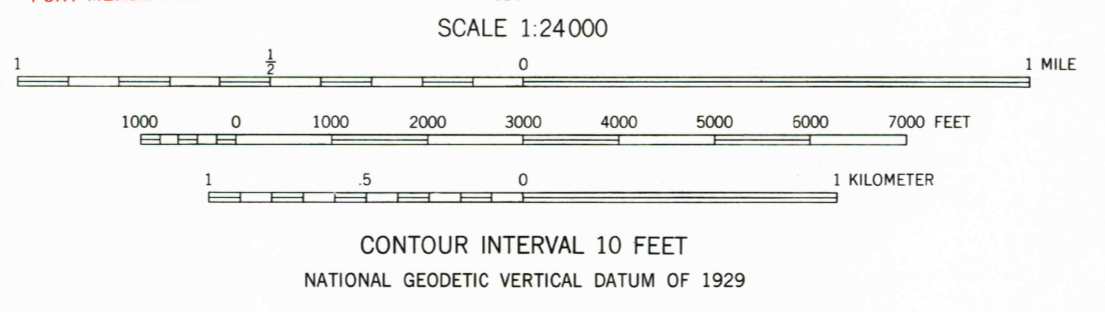


Mapped, edited, and published by the Geological Survey
Control by USGS, USC&GS, and Florida Geodetic Survey
Culture and drainage in part compiled from
aerial photographs taken 1941 and 1947
Topography by plane-table methods 1949
Polyconic projection. 1927 North American datum
10,000-foot grid based on Florida coordinate system,
west zone
1000-meter Universal Transverse Mercator grid ticks,
zone 17, shown in blue
To place on the predicted North American Datum 1983
move the projection lines 29 meters south and
18 meters west as shown by dashed corner ticks

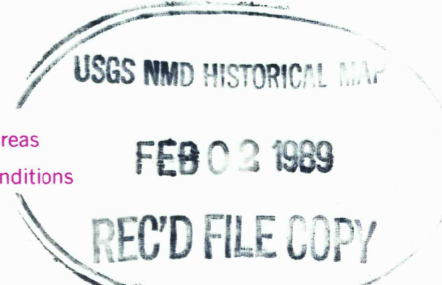
Revisions shown in purple and woodland compiled in cooperation
with State of Florida agencies from aerial photographs taken 1984
and other sources. This information not field checked
Map edited 1987



ROAD CLASSIFICATION

Heavy-duty	Light duty
Medium-duty	Unimproved dirt
U.S. Route	State Route

Purple tint indicates extension of urban areas
Light purple tint indicates reclaimed strip mine areas
Dashed contours in strip mine areas represent conditions
before being mined



BARTOW, FLA.
27081-H7-TF-024
1949
PHOTOGRAPHED 1987
DMA 4639 IV NE - SERIES V847

THIS MAP COMPLIES WITH NATIONAL MAP ACCURACY STANDARDS
FOR SALE BY U.S. GEOLOGICAL SURVEY
DENVER, COLORADO 80225 OR RESTON, VIRGINIA 22092
A FOLDER DESCRIBING TOPOGRAPHIC MAPS AND SYMBOLS IS AVAILABLE ON REQUEST