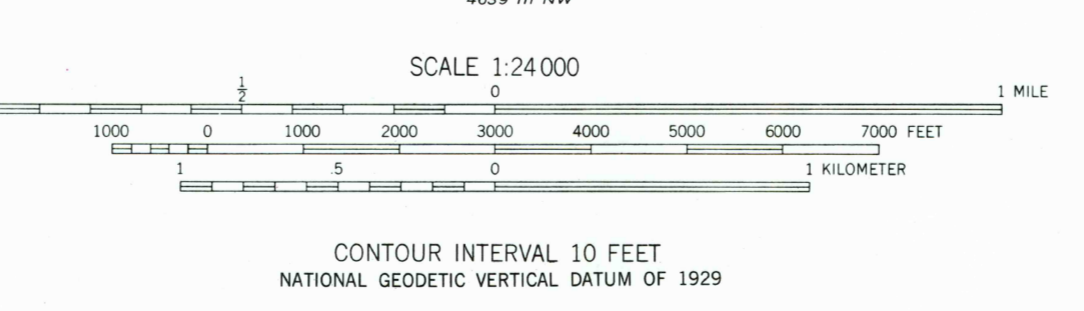


Maped, edited, and published by the Geological Survey  
Control by USGS, USC&GS, and Florida Geologic Survey  
Culture and drainage in part compiled from  
aerial photographs taken 1947  
Topography by plane-table methods 1949  
Polyconic projection. 1927 North American datum  
10,000-foot grid based on Florida coordinate system,  
west zone  
1000-meter Universal Transverse Mercator grid ticks,  
zone 17, shown in blue  
To place on the predicted North American Datum 1983 move  
the projection lines 30 meters south and 18 meters west  
as shown by dashed corner ticks  
Light purple tint indicates reclaimed strip mine areas  
Dashed contours in strip mine areas represent conditions  
before being mined

Revisions shown in purple and woodland compiled in cooperation  
with State of Florida agencies from aerial photographs taken  
1984 and other sources. This information not field checked  
Map edited 1987



ROAD CLASSIFICATION  
Primary highway, hard surface  
Secondary highway, hard surface  
Interstate Route  
U.S. Route  
State Route  
Light duty road, hard or improved surface  
Unimproved road

THIS MAP COMPLIES WITH NATIONAL MAP ACCURACY STANDARDS  
FOR SALE BY U.S. GEOLOGICAL SURVEY  
DENVER, COLORADO 80225 OR RESTON, VIRGINIA 22092  
A FOLDER DESCRIBING TOPOGRAPHIC MAPS AND SYMBOLS IS AVAILABLE ON REQUEST

BRADLEY JUNCTION, FLA.  
27081-H7-TF-024

1949  
PHOTOREVISED 1987  
DMA 4639 IV SW-SERIES V847