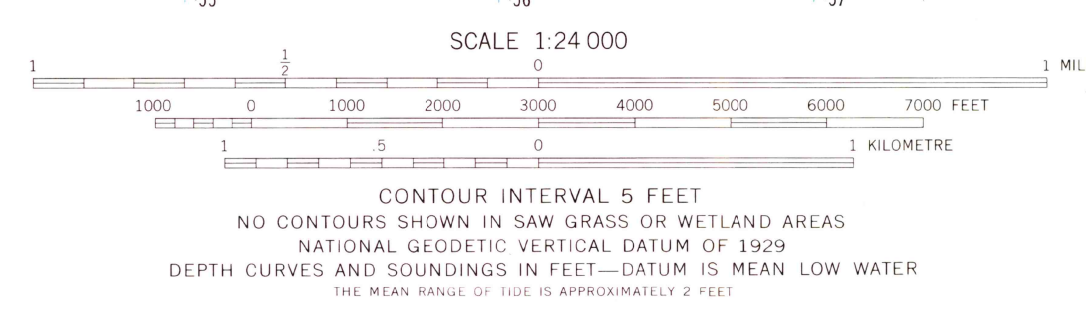
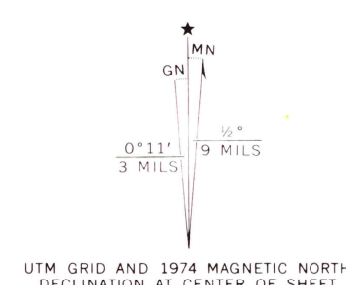


Mapped, edited, and published by the Geological Survey  
Control by USGS, and NOS/NOAA  
Orthophotomap prepared from aerial photograph taken January 27, 1971  
Topography by planetable surveys 1974  
Selected hydrographic data compiled from NOS 642 SC (1971)  
and 1254 (1974). This information is not intended for navigational purposes  
Projection and 10,000-foot grid ticks: Florida coordinate system  
east zone (transverse Mercator)  
1,000-metre Universal Transverse Mercator grid ticks,  
zone 17, shown in blue. 1927 North American datum  
Where omitted, land lines have not been established or are not  
shown because of insufficient data



ROAD CLASSIFICATION	
Primary highway, hard surface	Light duty road, hard or improved surface
Secondary highway, hard surface	Unimproved road
Trails	
Interstate Route	U. S. Route
	State Route

THIS MAP COMPLIES WITH NATIONAL MAP ACCURACY STANDARDS  
FOR SALE BY U. S. GEOLOGICAL SURVEY, RESTON, VIRGINIA 22092  
A FOLDER DESCRIBING TOPOGRAPHIC MAPS AND SYMBOLS IS AVAILABLE ON REQUEST

EVERGLADES CITY, FLA. NOV 0 2 1974  
N2545-W8122.5/7.5

USGS  
Historical File  
Topographic Division  
1974  
AMS 4735 IV SW—SERIES V8470