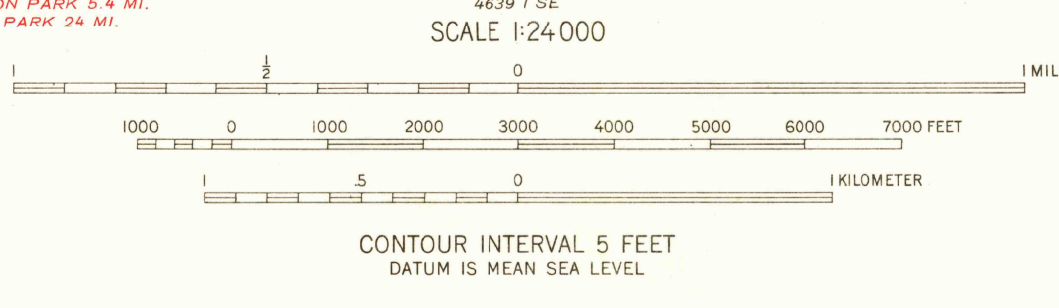
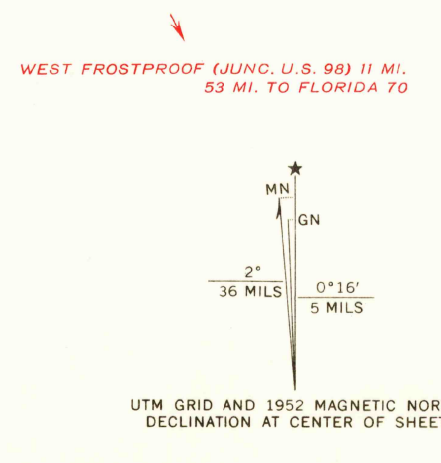


Mapped by the U. S. Corps of Engineers
Edited and published by the Geological Survey
Control by USGS, USC&GS, USCE, and Florida Geodetic Survey
Topography from aerial photographs by photogrammetric methods
Aerial photographs taken 1950
Field check by the Geological Survey 1952
Polyconic projection. 1927 North American datum
10,000-foot grid based on Florida coordinate system,
west zone
Red tint indicates area in which only
landmark buildings are shown
1000-meter Universal Transverse Mercator grid ticks,
zone 17, shown in blue



USGS
Historical File
Topographic Division

ROAD CLASSIFICATION
Heavy-duty ——— Light-duty ———
Medium-duty ——— Unimproved dirt ———
U.S. Route U.S. Route
State Route State Route

U.S.G.S. LAKE WALES, FLA.
N2752.5-W8130/7.5
1952
AMS 4639 I NE-SERIES V847

THIS MAP COMPLIES WITH NATIONAL MAP ACCURACY STANDARDS
FOR SALE BY U. S. GEOLOGICAL SURVEY, WASHINGTON 25, D. C.
A FOLDER DESCRIBING TOPOGRAPHIC MAPS AND SYMBOLS IS AVAILABLE ON REQUEST

JUN 28 1965
6390