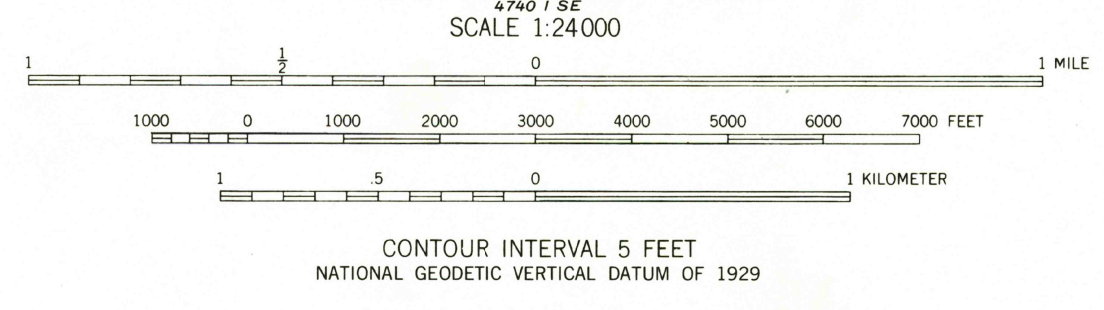
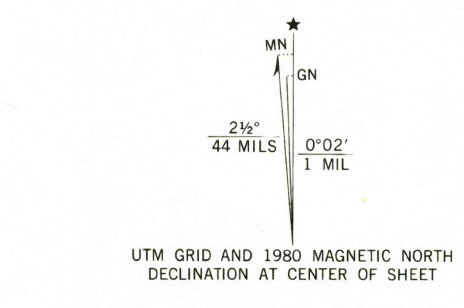


Mapped, edited, and published by the Geological Survey
Control by USGS, USC&GS, and USCE
Culture and drainage in part compiled by U. S. Corps of
Engineers from aerial photographs taken 1950. Topography
by plane-table surveys 1953
Polyconic projection
10,000-foot grid based on Florida coordinate system, east zone
1000-meter Universal Transverse Mercator grid ticks,
zone 17, shown in blue. 1927 North American Datum
To place on the predicted North American Datum 1983
move the projection lines 27 meters south and
20 meters west as shown by dashed corner ticks
Dashed land lines indicate approximate locations



ROAD CLASSIFICATION

Primary highway, hard surface	Light-duty road, hard or improved surface
Secondary highway, hard surface	Unimproved road
	State Route

THIS MAP COMPLIES WITH NATIONAL MAP ACCURACY STANDARDS
FOR SALE BY U. S. GEOLOGICAL SURVEY, RESTON, VIRGINIA 22092
A FOLDER DESCRIBING TOPOGRAPHIC MAPS AND SYMBOLS IS AVAILABLE ON REQUEST



USGS
Historical File
National Mapping Div.

NARCOOSSEE NE, FLA.
N2822.5-W8100/7.5
1953
PHOTOREVISED 1980
DMA 4741 II NE—SERIES V647

MAY 20 1981
3395