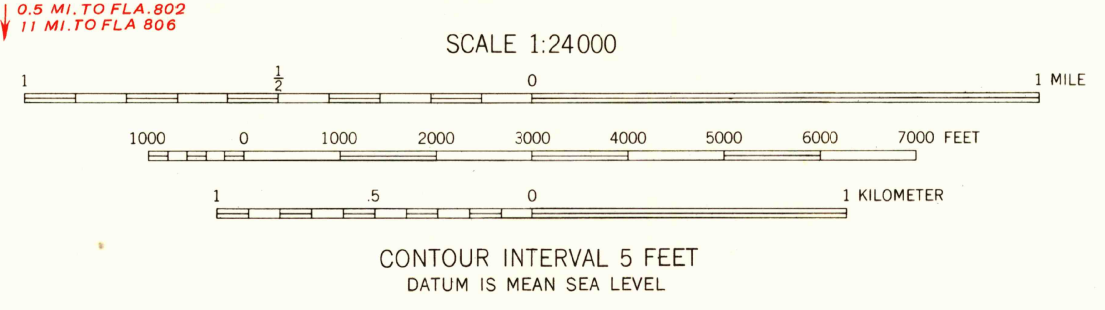


Mapped by the U.S. Coast & Geodetic Survey
Edited and published by the Geological Survey
Control by the U.S. Coast & Geodetic Survey
Culture and drainage in part from aerial photographs taken 1942.
Topography by plane-table methods 1946
Polyconic projection. 1927 North American datum
10,000-foot grid based on Florida coordinate system,
east zone
No distinction is made between dwellings, barns,
commercial and industrial buildings
1000-meter Universal Transverse Mercator grid ticks,
zone 17, shown in blue

TRUE NORTH
MAGNETIC NORTH
APPROXIMATE MEAN
DECLINATION, 1946



USCS
Historical File
Topographic Division

U.S.G.S.
FILE COPY
TOPOGRAPHIC DIVISION

ROAD CLASSIFICATION
HEAVY-DUTY ALL WEATHER ROADS
MEDIUM-DUTY ALL WEATHER ROADS
LOOSE SURFACE, GRADED, OR NARROW HARD SURFACE
U.S. ROUTE
STATE ROUTE
DRY WEATHER ROADS
IMPROVED DIRT
UNIMPROVED DIRT
PALM BEACH FARMS, FLA.
N2637.5-W8007.5/7.5
1946

THIS MAP COMPLIES WITH NATIONAL MAP ACCURACY STANDARDS
FOR SALE BY U.S. GEOLOGICAL SURVEY, WASHINGTON 25, D. C.
A FOLDER DESCRIBING TOPOGRAPHIC MAPS AND SYMBOLS IS AVAILABLE ON REQUEST