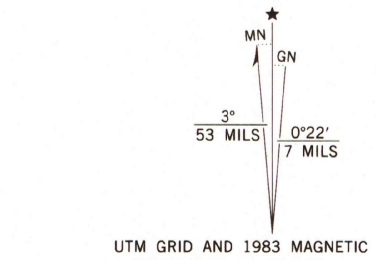
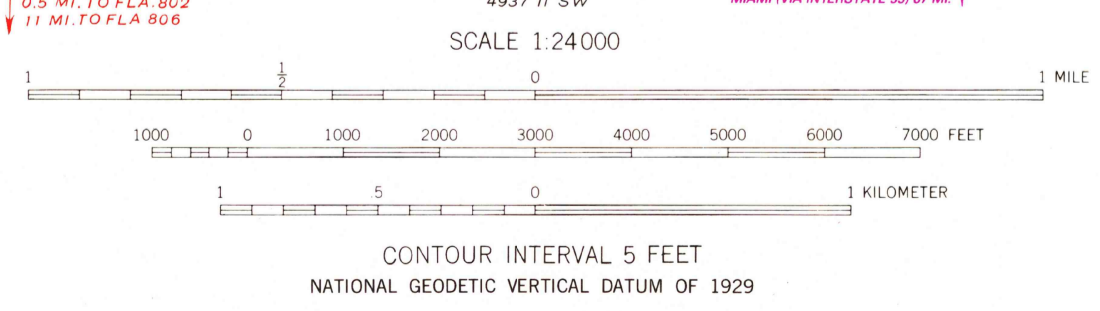


Mapped by the U. S. Coast & Geodetic Survey
Edited and published by the Geological Survey

Control by NOS/NOAA
Planimetry in part by photogrammetric methods
from aerial photographs taken 1942
Topography by planetable surveys 1946
Polyconic projection. 10,000-foot grid ticks based on Florida
coordinate system, east zone. 1000-meter Universal Transverse
Mercator grid ticks, zone 17, shown in blue
1927 North American Datum. To place on the predicted North
American Datum 1983 move the projection lines 36 meters south
and 22 meters west as shown by dashed corner ticks
No distinction is made between dwellings, barns,
commercial and industrial buildings
There may be private inholdings within the boundaries of
the National or State reservations shown on this map



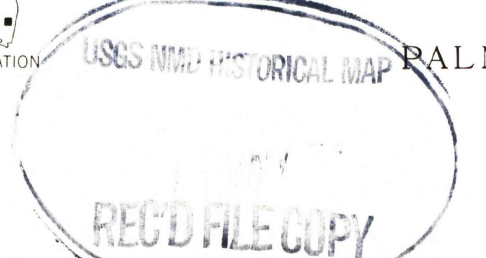
Revisions shown in purple and woodland compiled by the
Geological Survey in cooperation with State of Florida agencies
from aerial photographs taken 1980 and other sources.
This information not field checked. Map edited 1983
Purple tint indicates extension of urban areas



THIS MAP COMPLIES WITH NATIONAL MAP ACCURACY STANDARDS
FOR SALE BY U. S. GEOLOGICAL SURVEY, RESTON, VIRGINIA 22092
A FOLDER DESCRIBING TOPOGRAPHIC MAPS AND SYMBOLS IS AVAILABLE ON REQUEST

ROAD CLASSIFICATION

Primary highway, hard surface	Light-duty road, hard or improved surface
Secondary highway, hard surface	Unimproved road
Interstate Route	U. S. Route
	State Route
	County Route



PALM BEACH FARMS, FLA.
26080-F2-TF-024
1946
PHOTOREVISED 1983
DMA 4937 II NW—SERIES V847