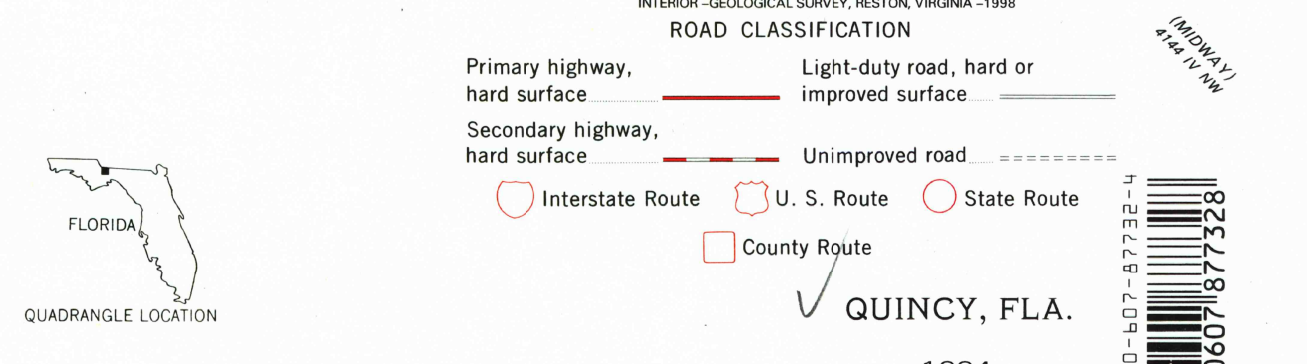
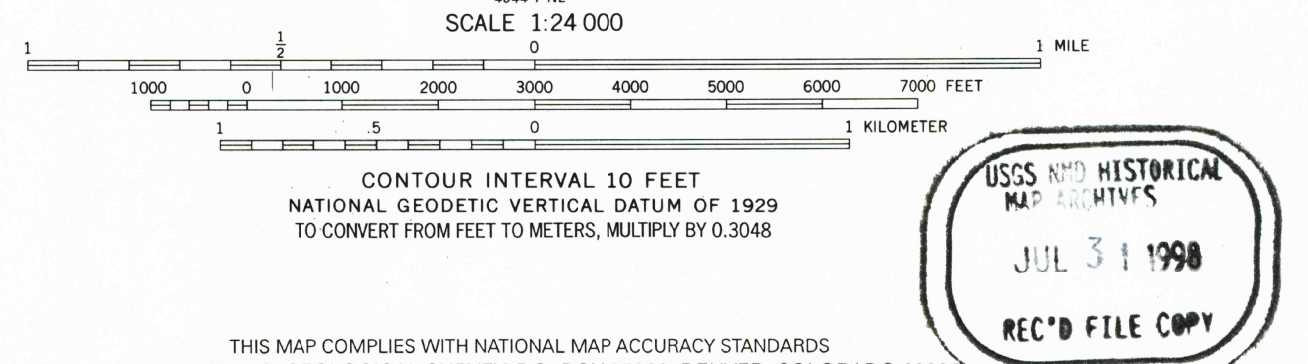
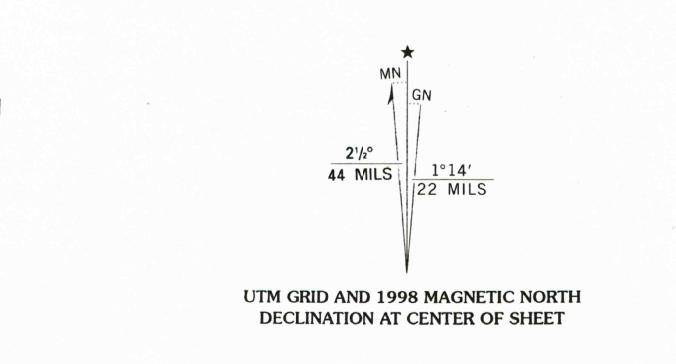


Produced by the United States Geological Survey
Topography compiled 1952. Planimetry derived from imagery taken 1976 and other sources. Photosinspected using imagery dated 1994; no major culture or drainage changes observed. PLSS and survey control current as of 1978. Boundaries, other than corporate, revised 1998 North American Datum of 1927 (NAD 27). Projection and 10 000-foot ticks: Florida coordinate system, north zone (Lambert conformal conic)
1000-meter Universal Transverse Mercator grid, zone 16 North American Datum of 1983 (NAD 83) is shown by dashed corner ticks. The values of the shift between NAD 27 and NAD 83 for 7.5-minute intersections are obtainable from National Geodetic Survey NADCON software
Dotted land lines established by private subdivision of the Forbes Purchase
There may be private inholdings within the boundaries of the National or State reservations shown on this map
Dashed contours in strip mine areas not revised



THIS MAP COMPLIES WITH NATIONAL MAP ACCURACY STANDARDS
FOR SALE BY U.S. GEOLOGICAL SURVEY, P.O. BOX 25286, DENVER, COLORADO 80225
A FOLDER DESCRIBING TOPOGRAPHIC MAPS AND SYMBOLS IS AVAILABLE ON REQUEST