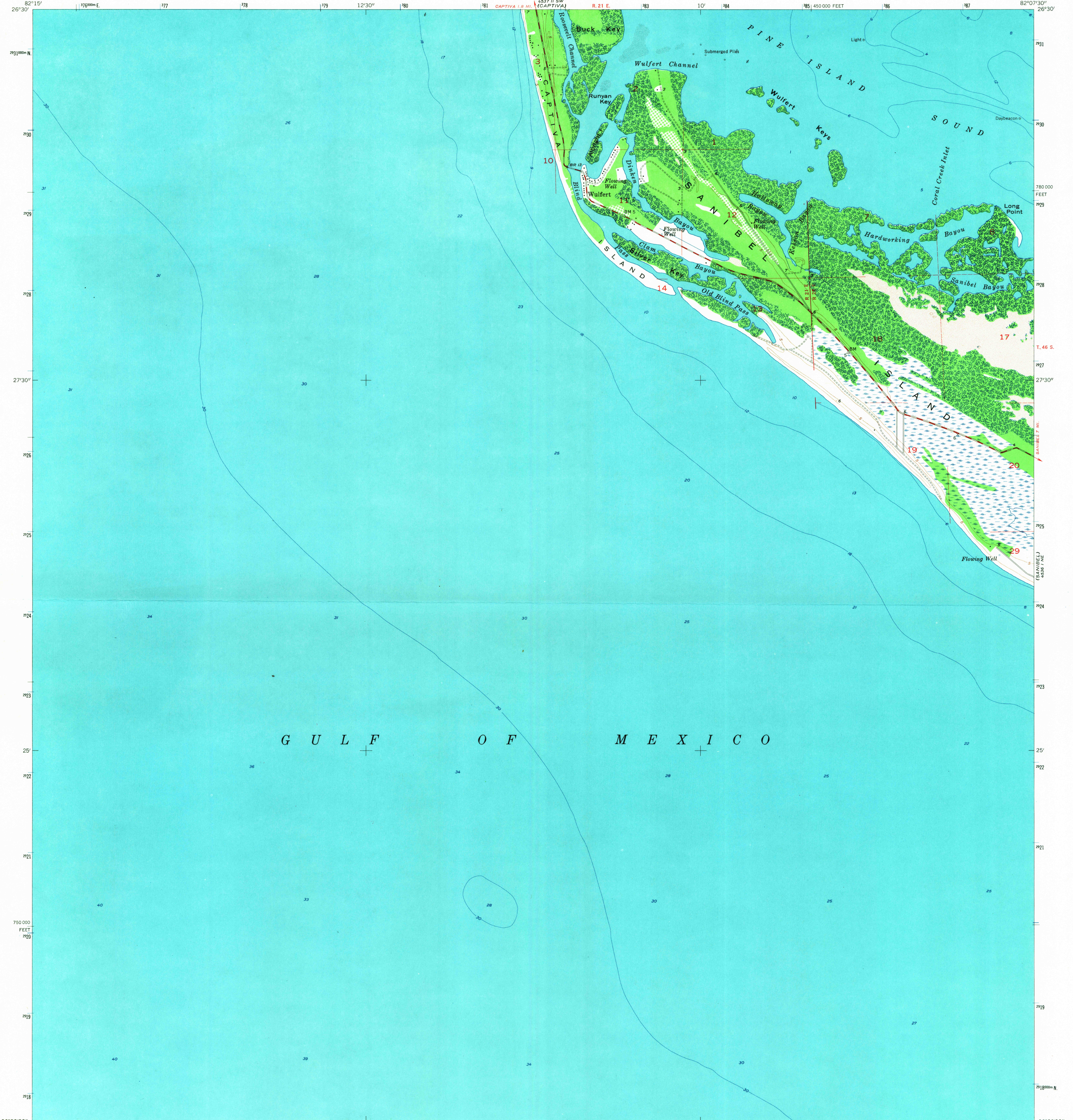
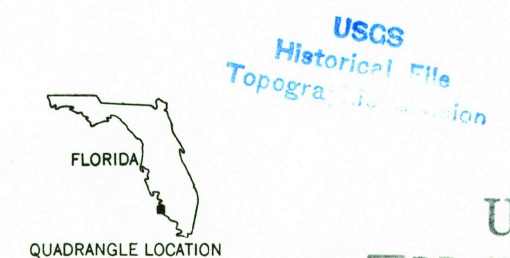
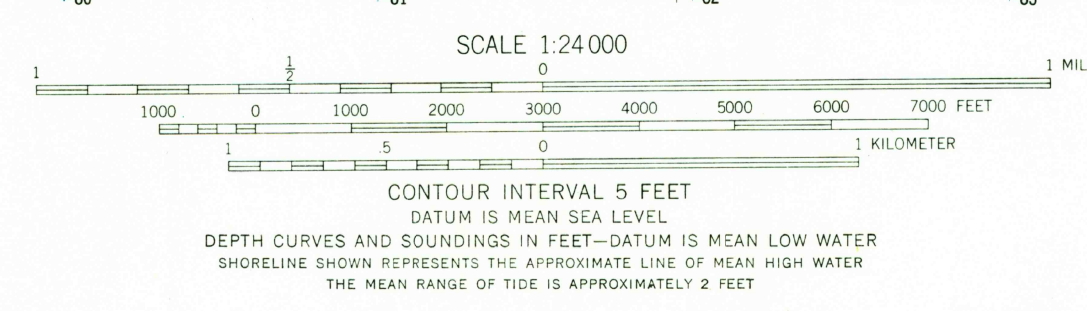
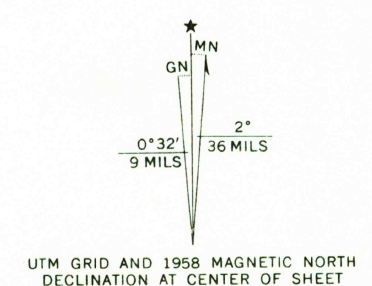


4537 1/2 SW  
PINE ISLAND  
CENTER



Mapped, edited, and published by the Geological Survey  
Control by USGS and USC&GS  
Culture and drainage in part compiled from aerial photographs  
taken 1951. Topography by planetable surveys 1956  
Hydrography compiled from USC&GS chart 1255 (1956)  
Polyconic projection. 1927 North American datum  
10,000-foot grid based on Florida coordinate system, west zone  
1000-meter Universal Transverse Mercator grid ticks,  
zone 17, shown in blue



ROAD CLASSIFICATION

Medium-duty	Light-duty
Unimproved dirt	

THIS MAP COMPLIES WITH NATIONAL MAP ACCURACY STANDARDS  
FOR SALE BY U. S. GEOLOGICAL SURVEY, WASHINGTON, D. C. 20242  
A FOLDER DESCRIBING TOPOGRAPHIC MAPS AND SYMBOLS IS AVAILABLE ON REQUEST

U.S.G.S.  
FILE COPY  
TOPOGRAPHIC DIVISION

WULFERT, FLA.  
N2622.5-W8207.5/7.5  
1958  
AMS 4536 1 NW SERIES V847

2250