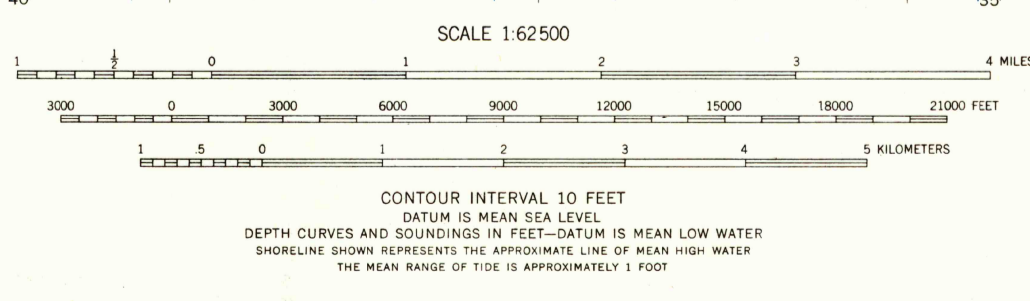
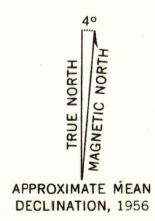




Mapped, edited, and published by the Geological Survey
Control by USGS and USC&GS
Topography by planetable surveys 1934-1935. Culture revised
from aerial photographs taken 1955. Field check 1956
Hydrography compiled from USC&GS chart 871 (1955) and 1264 (1952)
Polyconic projection. 1927 North American datum
10,000-foot grid based on Florida coordinate system, north zone
1000-meter Universal Transverse Mercator grid ticks,
zone 16, shown in blue
Certain land lines unsurveyed in T. 2 S.-R. 23 W., T. 2 S.-R. 24 W.,
and T. 2 S.-R. 25 W.



USGS
Historical File
Topographic Division
U.S.G.S.
FILE COPY
TOPOGRAPHIC DIVISION
ROAD CLASSIFICATION
Medium-duty — Light-duty
Unimproved dirt —
U.S. Route — State Route
QUADRANGLE LOCATION
FLORIDA
FORT WALTON BEACH, FLA.
N 3015—W 8630/15
1956

FOR SALE BY U. S. GEOLOGICAL SURVEY, WASHINGTON 25, D. C.
A FOLDER DESCRIBING TOPOGRAPHIC MAPS AND SYMBOLS IS AVAILABLE ON REQUEST

MAR 26 1958
2365