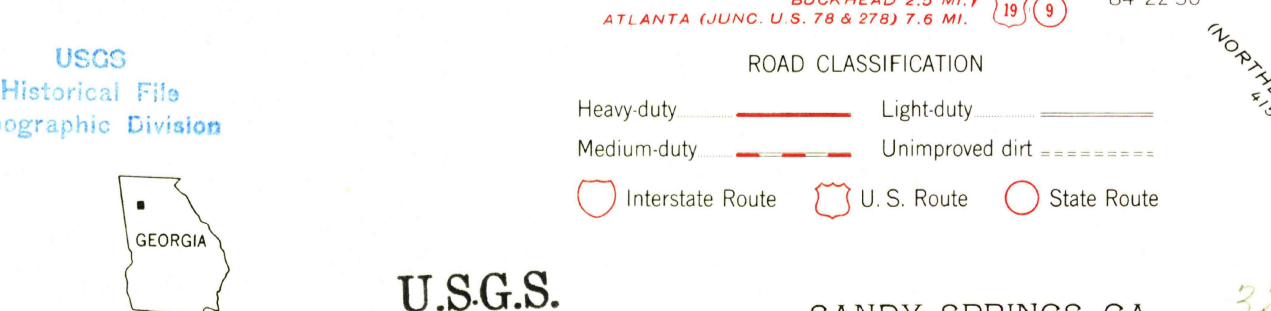
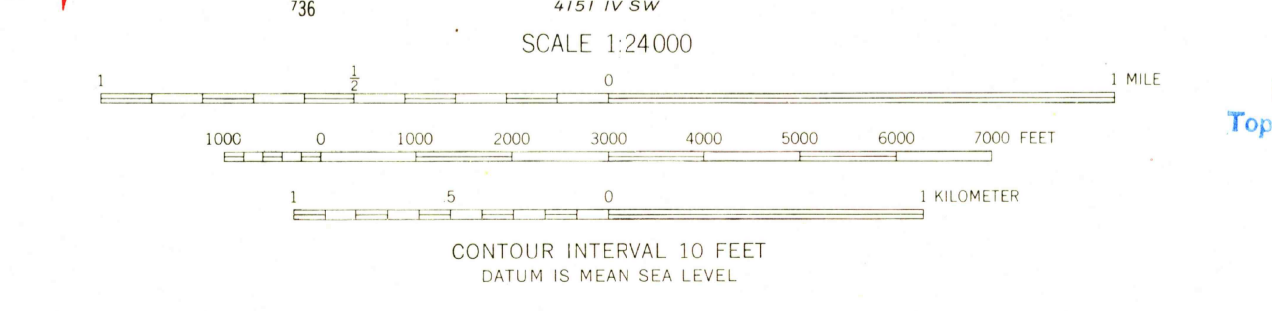
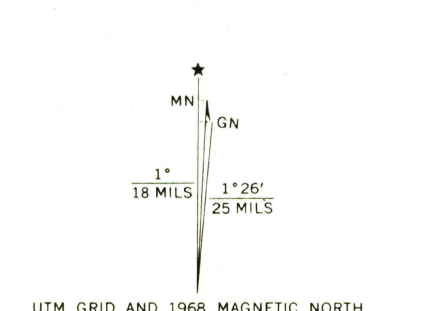


Mapped, edited, and published by the Geological Survey  
Control by USGS, USC&GS, USCE, and Georgia Geodetic Survey  
Topography from aerial photographs by Wild A-6  
Aerial photographs taken 1952. Field check 1954-1955  
Polyconic projection. 1927 North American datum  
10,000-foot grid based on Georgia coordinate system,  
west zone  
1000-meter Universal Transverse Mercator grid ticks,  
zone 16, shown in blue  
Land lines from information supplied by  
Atlanta-Fulton County Joint Planning Board and  
Cobb County Roads and Revenues Commission  
Revisions shown in purple compiled from aerial photographs  
taken 1968. This information not field checked.  
Purple tint indicates urban areas



U.S.G.S.  
FILE COPY  
TOPOGRAPHIC DIVISION

SANDY SPRINGS, GA.  
N3352.5-W8422.5/7.5  
1955  
AMS 4151 IV NW-SERIES V845

THIS MAP COMPLIES WITH NATIONAL MAP ACCURACY STANDARDS  
FOR SALE BY U.S. GEOLOGICAL SURVEY, WASHINGTON, D. C. 20242  
A FOLDER DESCRIBING TOPOGRAPHIC MAPS AND SYMBOLS IS AVAILABLE ON REQUEST

NOV 11 1968