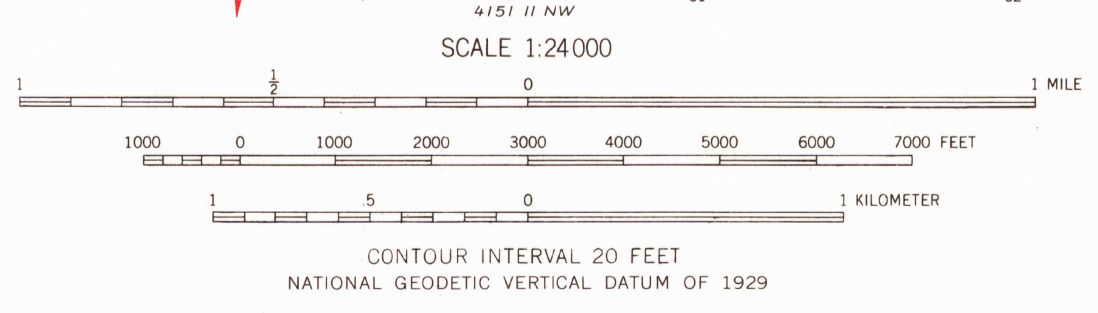
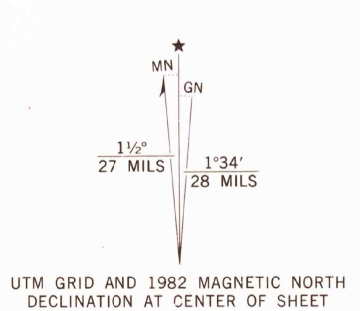


Mapped, edited, and published by the Geological Survey
Control by USGS, NOS/NOAA, Georgia Geodetic Survey, and
City of Atlanta
Topography by photogrammetric methods from aerial photographs
taken 1955. Field checked 1956
Polyconic projection. 10,000-foot grid ticks based on Georgia
coordinate system, west zone. 1000-meter Universal Transverse
Mercator grid ticks, zone 16, shown in blue. 1927 North American
Datum. To place on the predicted North American Datum 1983
move the projection lines 11 meters south and 8 meters west
as shown by dashed corner ticks
Land lines and county line from information supplied by
DeKalb County Department of Planning
There may be private inholdings within the boundaries of
the National or State reservations shown on this map
Revisions shown in purple and woodland compiled from aerial
photographs taken 1961 and other sources. This information
not field checked. Map edited 1982
Purple tint indicates extension of urban areas



ROAD CLASSIFICATION

Heavy-duty	Light-duty
Medium-duty	Unimproved dirt
Interstate Route	U.S. Route
	State Route



STONE MOUNTAIN, GA.
33084-G2-TF-024

1956
PHOTOREVISED 1982
DMA 4151 I SW-SERIES V845

FEB 22 1982
CONFERS