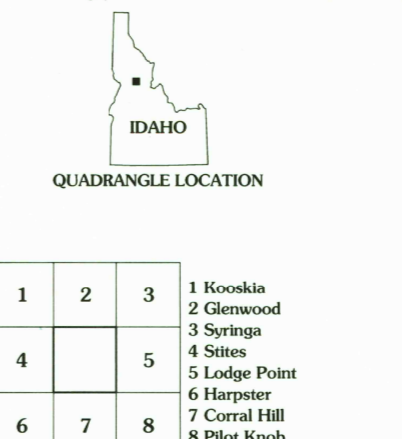
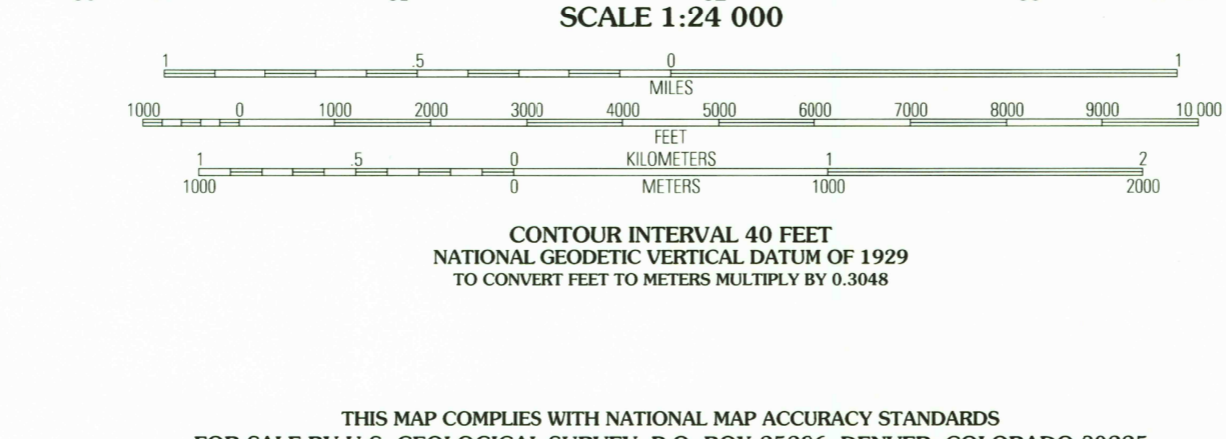
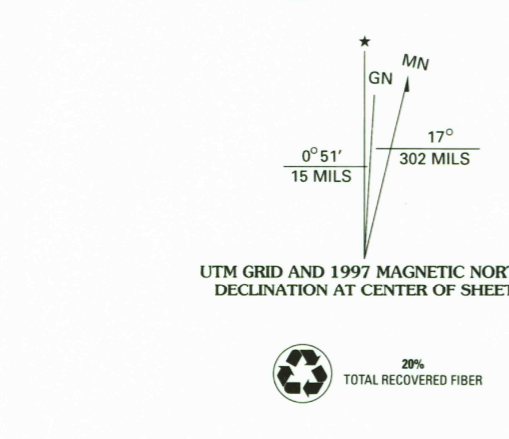


Produced by the U.S. Geological Survey  
Revised by the U.S. Forest Service  
Areas outside the National Forest System lands may not have been revised  
Topography compiled 1950. Planimetry derived from imagery taken 1992. Public Land Survey System and survey control current as of 1995. Partial field check by U.S. Forest Service 1995.  
North American Datum of 1927 (NAD 27). Projection and 10 000-foot ticks: Idaho coordinate system, west zone (Transverse Mercator). Blue 1000-meter Universal Transverse Mercator ticks, zone 11.  
North American Datum of 1983 (NAD 83) is shown by dashed corner ticks. The values of the shift between NAD 27 and NAD 83 for 7.5-minute intersections are obtainable from National Geodetic Survey NADCON software.  
Non-National Forest System lands within the National Forest. Inholdings may exist in other National or State reservations.  
This map is not a legal land line or ownership document. Public lands are subject to change and leasing, and may have access restrictions; check with local offices. Obtain permission before entering private lands.



**HIGHWAYS AND ROADS**

Interstate	(Red shield with white border)	Primary highway	(Red line)
U. S.	(Red shield with white border)	Secondary highway	(Red dashed line)
State	(Red shield with white border)	Light-duty road	(Red dashed line with cross-ticks)
County	(Red shield with white border)	Paved	(Black line with cross-ticks)
National Forest, suitable for passenger cars	(Red shield with white border)	Gravel	(Black line with cross-ticks)
National Forest, suitable for high clearance vehicles	(Red shield with white border)	Dirt	(Black line with cross-ticks)
National Forest Trail	(Red shield with white border)	Composition unspecified	(Black line with cross-ticks)
		Unimproved; 4 wheel drive	(Black line with cross-ticks)
		Trail	(Black line with cross-ticks)
		Gate	(Black line with cross-ticks)

USGS Library  
Reston, VA.  
Topo Archive

SEP 19 2006



THIS MAP COMPLIES WITH NATIONAL MAP ACCURACY STANDARDS  
FOR SALE BY U.S. GEOLOGICAL SURVEY, P.O. BOX 25286, DENVER, COLORADO 80225  
A FOLDER DESCRIBING TOPOGRAPHIC MAPS AND SYMBOLS IS AVAILABLE ON REQUEST

BIG CEDAR, ID  
1995  
NIMA 2876 III SE - SERIES V893