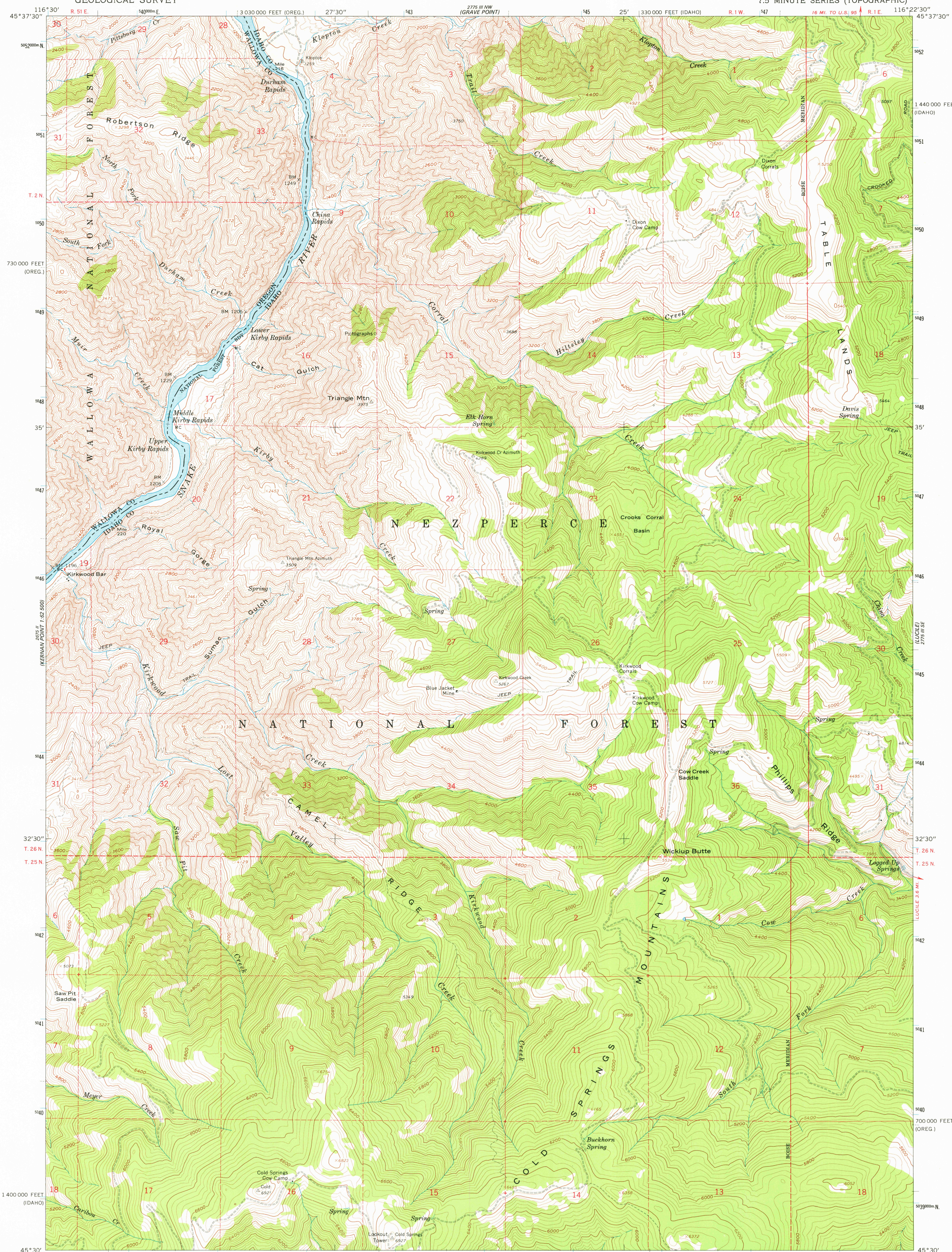
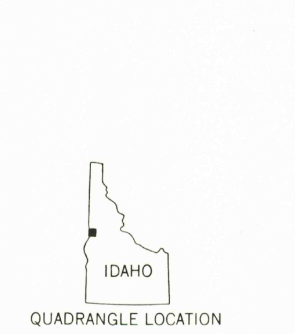
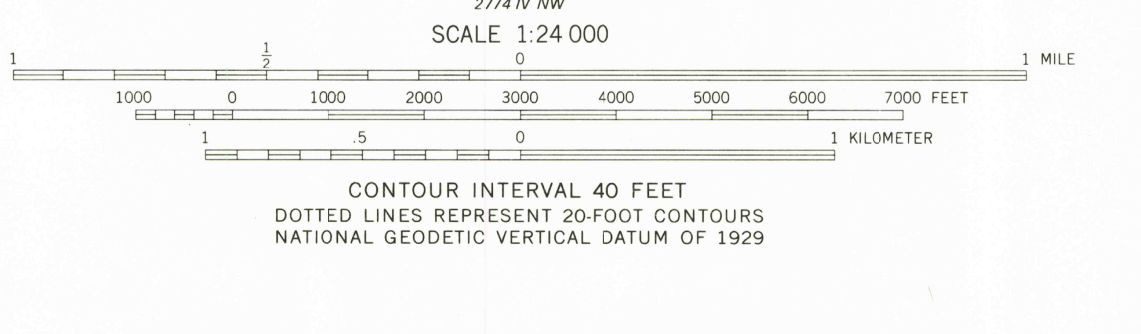
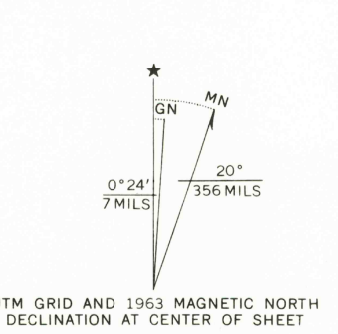


UNITED STATES
DEPARTMENT OF THE INTERIOR
GEOLOGICAL SURVEY

KIRKWOOD CREEK QUADRANGLE
IDAHO-OREGON
7.5 MINUTE SERIES (TOPOGRAPHIC)



Mapped, edited, and published by the Geological Survey
Control by USGS and USC&GS
Topography by photogrammetric methods from aerial
photographs taken 1961. Field checked 1963
Polyconic projection. 1927 North American datum
10,000-foot grids based on Idaho coordinate system, west zone,
and Oregon coordinate system, north zone.
1000-meter Universal Transverse Mercator grid ticks,
zone 11, shown in blue
Where omitted, land lines have not been established



ROAD CLASSIFICATION
Light-duty ————— Unimproved dirt - - - - -
USGS
Historical File
Topographic Division
KIRKWOOD CREEK, IDAHO-OREG.
N4530-W11622.5/7.5

APR 12 1977
2750

THIS MAP COMPLIES WITH NATIONAL MAP ACCURACY STANDARDS
FOR SALE BY U. S. GEOLOGICAL SURVEY, DENVER, COLORADO 80225, OR RESTON, VIRGINIA 22092
A FOLDER DESCRIBING TOPOGRAPHIC MAPS AND SYMBOLS IS AVAILABLE ON REQUEST

1963
AMS 2775 III SW-SERIES V893