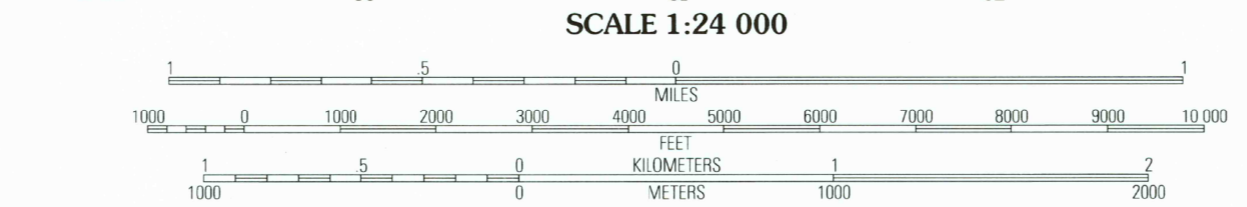
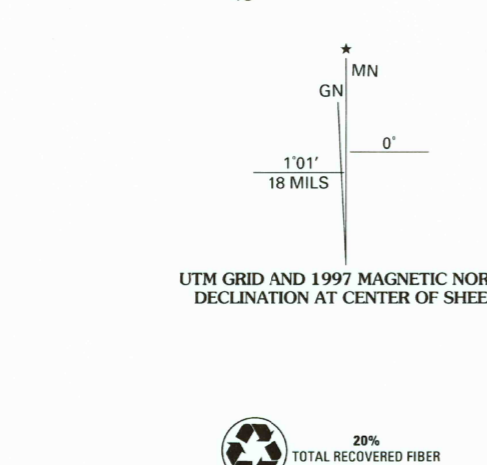


USGS Library Reston, VA. Topo Archive



Produced by the U.S. Geological Survey Revised by the U.S. Forest Service Topography compiled 1959. Planimetry derived from imagery taken 1993 Public Land Survey System and survey control current as of 1996. Partial field check by U.S. Forest Service 1996 North American Datum of 1927 (NAD 27). Projection and 10 000-foot ticks: Illinois coordinate system, east zone (Transverse Mercator) Blue 1000-meter Universal Transverse Mercator ticks, zone 16 North American Datum of 1983 (NAD 83) is shown by dashed corner ticks The values of the shift between NAD 27 and NAD 83 for 7.5-minute intersections are obtainable from National Geodetic Survey NADCON software Non-National Forest System lands within the National Forest Inholdings may exist in other National or State reservations This map is not a legal land line or ownership document. Public lands are subject to change and leasing, and may have access restrictions; check with local offices. Obtain permission before entering private lands



CONTOUR INTERVAL 10 FEET SUPPLEMENTARY CONTOUR INTERVAL 5 FEET NATIONAL GEODETIC VERTICAL DATUM OF 1929 TO CONVERT FEET TO METERS, MULTIPLY BY 0.3048

QUADRANGLE LOCATION table with 8 numbered cells and corresponding place names: 1 Pittsburg, 2 Harco, 3 Galena, 4 Crab Orchard, 5 Harrisburg, 6 Coal Springs, 7 Snowlet, 8 Eddyville

Legend for HIGHWAYS AND ROADS, including Interstate, U.S., State, County, National Forest, and National Forest Trail symbols. Includes a legend for Primary highway, Secondary highway, Light-duty road, and various road compositions. Also includes a legend for National Forest, suitable for passenger cars, National Forest, suitable for high clearance vehicles, and National Forest Trail.

THIS MAP COMPLIES WITH NATIONAL MAP ACCURACY STANDARDS FOR SALE BY U.S. GEOLOGICAL SURVEY, P.O. BOX 25286, DENVER, COLORADO 80225 AND ILLINOIS GEOLOGICAL SURVEY, CHAMPAIGN, ILLINOIS 61820 A FOLDER DESCRIBING TOPOGRAPHIC MAPS AND SYMBOLS IS AVAILABLE ON REQUEST

USGS LIBRARY - RESTON 3 1818 00422627 8

CARRIER MILLS, IL 1996 NIMA 3259 II NW - SERIES V863