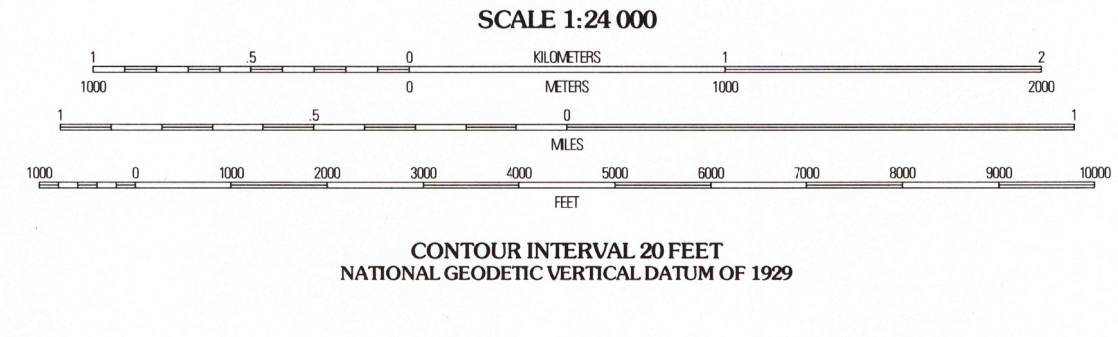
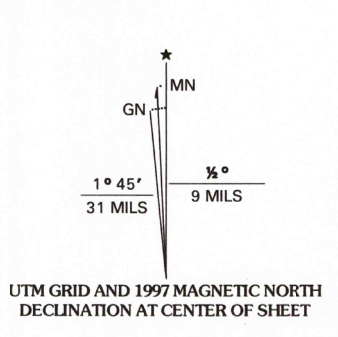


1955 HISTORICAL  
MAP 3 1 1997  
REC'D FILE COPY

Produced by the United States Geological Survey  
in cooperation with State of Illinois agencies  
Compiled by photogrammetric methods from imagery dated 1969  
Field checked 1971. Revised from imagery dated 1993, 1995, and  
other sources. Field checked 1996. Map edited 1997  
North American Datum of 1983 (NAD 83). Projection and  
1 000-meter grid: Universal Transverse Mercator, zone 16  
10 000-foot ticks: Illinois Coordinate System of 1983 (west zone)  
North American Datum of 1927 (NAD 27) is shown by dashed  
corner ticks. The values of the shift between NAD 83 and NAD 27  
for 7.5-minute intersections are obtainable from National Geodetic  
Survey NADCON software  
There may be private inholdings within the boundaries of  
the National or State reservations shown on this map



ROAD CLASSIFICATION

- Primary highway
- hard surface
- Secondary highway
- hard surface
- Light-duty road, hard or improved surface
- Unimproved road

QUADRANGLE LOCATION

1	2	3
4	5	6
7	8	

1 Pinconville  
2 Ekedstein  
3 Rome  
4 Oak Hill  
5 Spring Bay  
6 Hanna City  
7 Peoria West  
8 Peoria East

ADJOINING 7.5' QUADRANGLE NAMES

THIS MAP COMPLIES WITH NATIONAL MAP ACCURACY STANDARDS  
FOR SALE BY U.S. GEOLOGICAL SURVEY, P.O. BOX 25286, DENVER, COLORADO 80225  
AND ILLINOIS GEOLOGICAL SURVEY, CHAMPAIGN, ILLINOIS 61820  
A FOLDER DESCRIBING TOPOGRAPHIC MAPS AND SYMBOLS IS AVAILABLE ON REQUEST

DUNLAP, IL  
1996

DMA 30651 SW-SERIES V863

