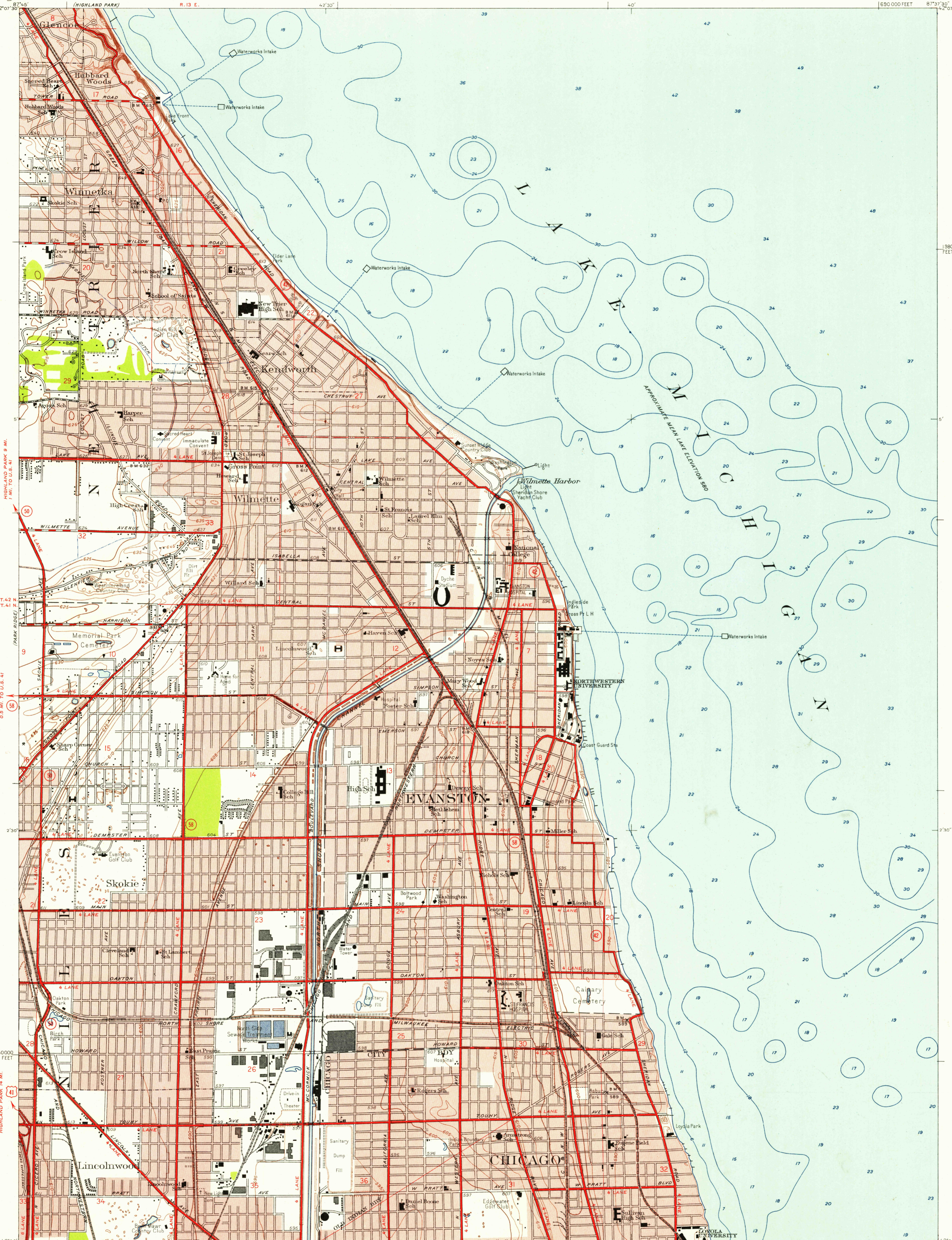


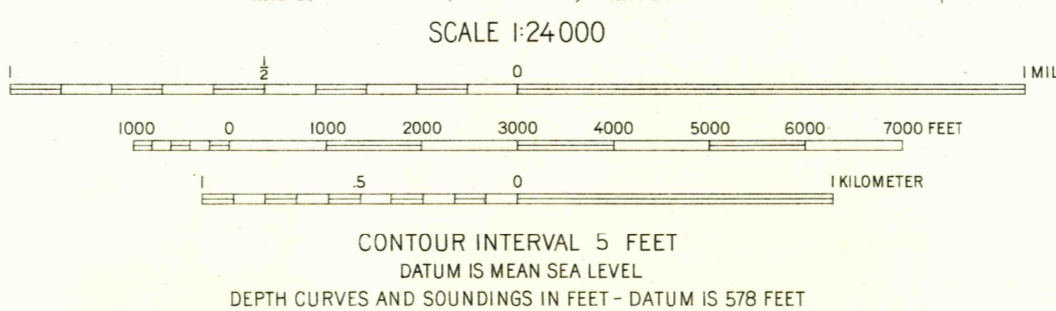
U.S.G.S.
FILE COPY
TOPOGRAPHIC DIVISION



Maped, edited, and published by the Geological Survey
Control by USGS and USC&GS
Culture and drainage in part compiled from aerial photographs
Topography by plane-table surveys 1926. Revised 1953
Hydrography from US Lake Survey Chart 75, 1920-000
Polyconic projection. 1927 North American datum
10,000-foot grid based on Illinois coordinate system,
east zone
Red tint indicates areas in which only
landmark buildings are shown
0.7 MI. TO U.S. 14
CICERO 11 MI.

1.1 MI. TO U.S. 14
CHICAGO LOOP 12 MI.

TRUE NORTH
MAGNETIC NORTH
APPROXIMATE MEAN
DECLINATION, 1953



1.9 MI. TO U.S. 41
CHICAGO LOOP 9 MI.

ROAD CLASSIFICATION
Heavy-duty 4 LANE 16 LANE Light-duty
Medium-duty 4 LANE 6 LANE Unimproved dirt
U. S. Route State Route



THIS MAP COMPLIES WITH NATIONAL MAP ACCURACY STANDARDS
FOR SALE BY U. S. GEOLOGICAL SURVEY, WASHINGTON 25, D. C.
AND BY THE STATE GEOLOGICAL SURVEY, URBANA, ILLINOIS
A FOLDER DESCRIBING TOPOGRAPHIC MAPS AND SYMBOLS IS AVAILABLE ON REQUEST

EVANSTON, ILL.
N4200-W8737.5/75

1953

NOV 16 1955

U.S.G.S.
FILE COPY
TOPOGRAPHIC DIVISION

3725