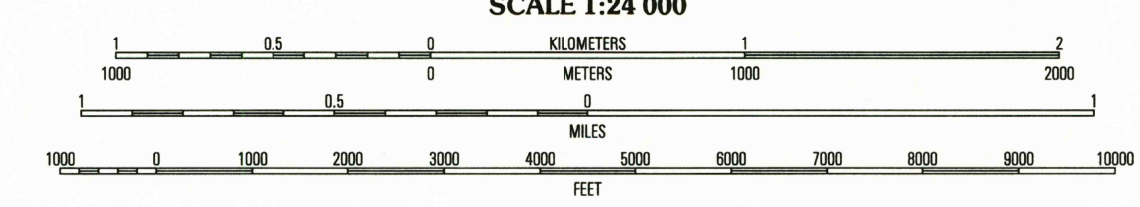
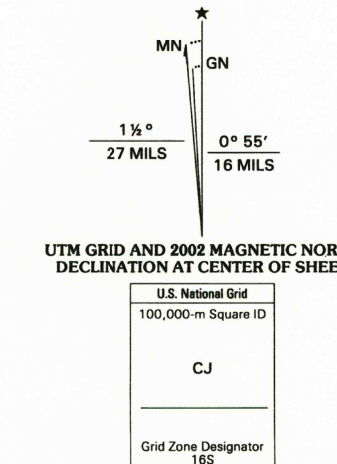


Produced by the United States Geological Survey
Contours.....National Elevation Dataset, 1982
Roads.....Illinois Department of Transportation, 2001
Other Planimetry.....1998
Public Land Survey System and Survey Control.....1983
Boundaries.....2002
Woodland.....LANDSAT 7, 2001
Houses of Worship, Schools, and Other Labeled Buildings.....1983
North American Datum of 1983 (NAD 83). Projection and
1 000-meter grid: Universal Transverse Mercator, zone 16S
10 000-foot ticks: Illinois Coordinate System of 1983 (east zone)
North American Datum of 1927 (NAD 27) is shown by dashed
corner ticks. The values of the shift between NAD 83 and
NAD 27 for 7.5-minute intersections are obtainable from
National Geodetic Survey NADCON software



ROAD CLASSIFICATION

Primary highway hard surface	Light-duty road, hard or improved surface
Secondary highway hard surface	Unimproved road
Interstate Route	U.S. Route
	State Route

CONTOUR INTERVAL 10 FEET
NORTH AMERICAN VERTICAL DATUM OF 1988
TO CONVERT FROM FEET TO METERS, MULTIPLY BY 0.3048

THIS MAP COMPLIES WITH NATIONAL MAP ACCURACY STANDARDS
FOR SALE BY U.S. GEOLOGICAL SURVEY, P.O. BOX 25286, DENVER, COLORADO 80225
AND ILLINOIS GEOLOGICAL SURVEY, CHAMPAIGN, ILLINOIS 61820
A FOLDER DESCRIBING TOPOGRAPHIC MAPS AND SYMBOLS IS AVAILABLE ON REQUEST

1	2	3
4	5	6
7	8	9

ADJOINING 7.5' QUADRANGLES

MATTOON WEST, IL
1998

NIMA 3362 IV SW-SERIES V863

RECEIVED
2002
USGS NIMD
HISTORICAL MAP ARCHIVES

