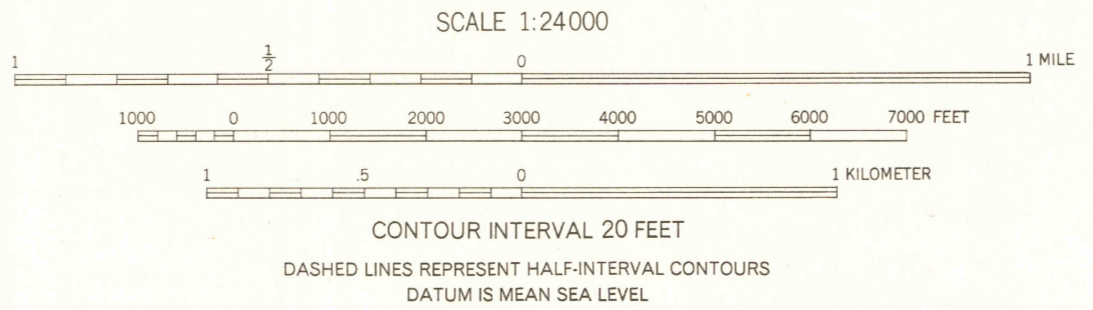


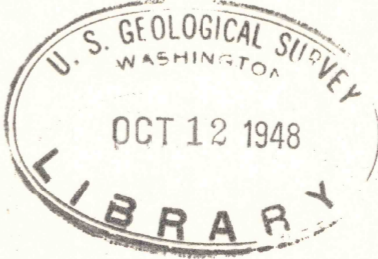


Mapped, edited, and published by the Geological Survey
Control by USC&GS and USGS
Topography from aerial photographs by multiplex methods
and by plane-table surveys 1947
Aerial photographs taken 1946
Polyconic projection, 1927 North American Datum
10,000 foot grid based on Illinois Coordinate System,
West Zone



ROAD CLASSIFICATION

HARD-SURFACE ALL WEATHER ROADS	DRY WEATHER ROADS
Heavy-duty 4 LANE LANE	Improved dirt
Medium-duty 4 LANE LANE	Unimproved dirt
Loose-surface or narrow hard-surface	



MILL CREEK, ILL.
N3715-W8915/7.5
PRINTED 1948