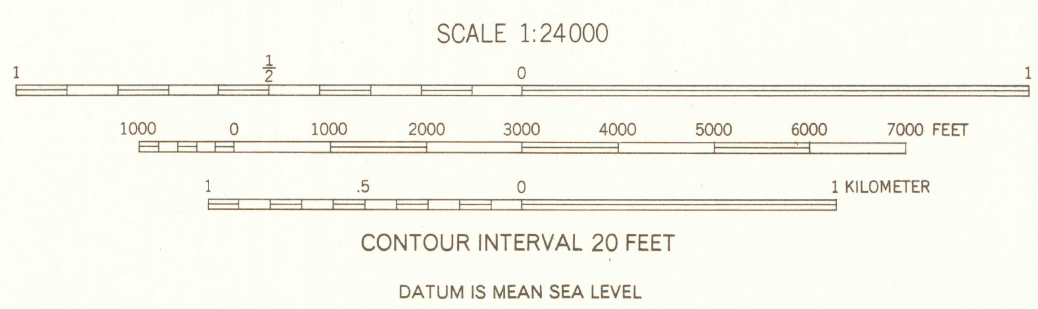




Mapped, edited, and published by the Geological Survey  
Control by USC&GS and USGS  
Topography from aerial photographs by multiplex methods  
and by plane-table surveys 1947  
Aerial photographs taken 1946  
Polyconic projection, 1927 North American Datum  
10,000 foot grid based on Illinois Coordinate System,  
West Zone



ROAD CLASSIFICATION

HARD-SURFACE ALL WEATHER ROADS	DRY WEATHER ROADS
Heavy-duty 4 LANE 6 LANE	Improved dirt
Medium-duty 4 LANE 6 LANE	Unimproved dirt
Loose-surface or narrow hard-surfaces	
U.S. Route	State Route

POMONA, ILL.  
N3737.5-W8915/7.5  
PRINTED 1948

Oliver