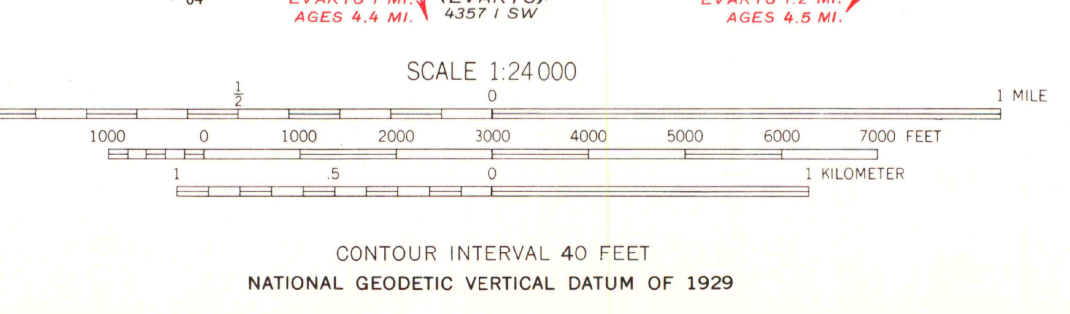




Mapped, edited, and published by the Geological Survey  
Control by USGS and USC&GS  
Topography from aerial photographs by stereoplanigraph  
Aerial photographs taken 1952 and 1953. Field check 1954  
Polyconic projection. 1927 North American datum  
10,000-foot grid based on Kentucky coordinate system,  
south zone  
Contours in strip mine areas from 1952 and 1953 photography  
Unchecked elevations are shown in brown  
1000-meter Universal Transverse Mercator grid ticks,  
zone 17, shown in blue  
There may be private inholdings within the boundaries of  
the National or State reservations shown on this map

Revisions shown in purple compiled from aerial photographs  
taken 1976 and other source data. Contours adjusted  
adjacent to certain photorevised hydrographic features.  
This information not field checked. Map edited 1978



ROAD CLASSIFICATION  
Heavy-duty ——— Light-duty ———  
Medium-duty ——— Unimproved dirt ———  
U. S. Route      State Route

MAP AND AIR PHOTO LIBRARY  
MAY 12 1979  
University of Wisconsin  
Madison

NOLANSBURG, KY.  
N 3652.5—W 8307.5/7.5  
1954  
PHOTOREVISED 1978  
AMS 4357 1 NW—SERIES V853

QUADRANGLE LOCATION  
KENTUCKY

THIS MAP COMPLIES WITH NATIONAL MAP ACCURACY STANDARDS  
FOR SALE BY U. S. GEOLOGICAL SURVEY, RESTON, VIRGINIA 22092,  
KENTUCKY GEOLOGICAL SURVEY, LEXINGTON, KENTUCKY 40506,  
AND KENTUCKY DEPARTMENT OF COMMERCE, FRANKFORT, KENTUCKY 40601  
A FOLDER DESCRIBING TOPOGRAPHIC MAPS AND SYMBOLS IS AVAILABLE ON REQUEST