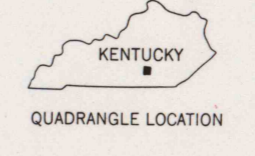
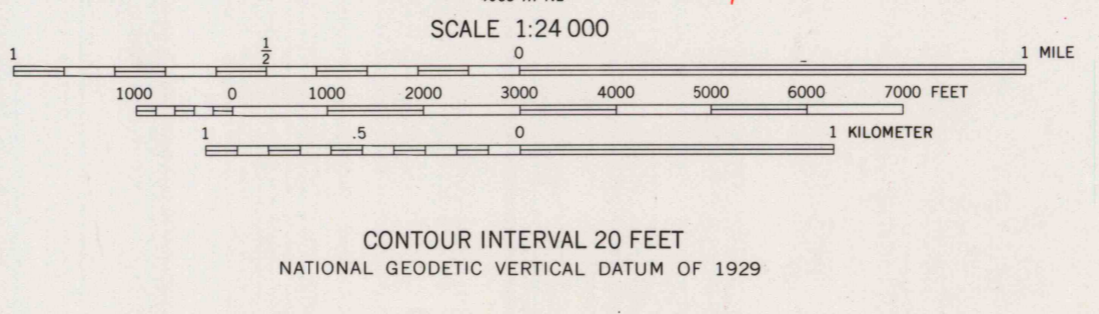
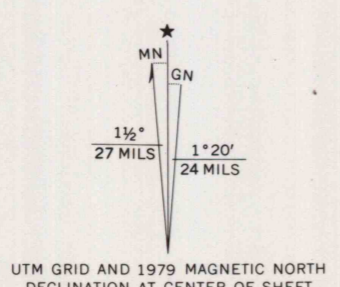




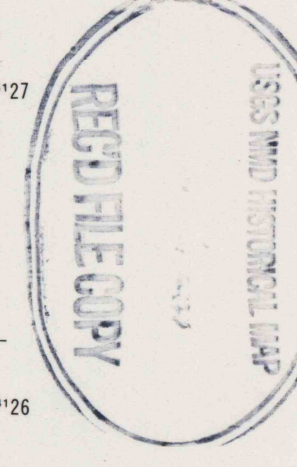
Mapped, edited, and published by the Geological Survey
Control by USGS and USC&GS
Topography from aerial photographs by multiplex methods
Aerial photographs taken 1950. Field check 1952
Polyconic projection. 1927 North American datum
10,000-foot grid based on Kentucky coordinate system,
south zone
1000-meter Universal Transverse Mercator grid. Zone 16
Revisions shown in purple compiled from aerial
photographs taken 1976 and other source data.
Contours adjusted adjacent to certain photo-
revised hydrographic features. This information
not field checked. Map edited 1979



ROAD CLASSIFICATION

Heavy-duty	4 LANE 16 LANE	Light-duty
Medium-duty	4 LANE 16 LANE	Unimproved dirt
U. S. Route		State Route

YOSEMITE, KY.
N3715-W8445/7.5
1952
PHOTOREVISED 1979
AMS 4058 IV SE-SERIES W553



3/19/84