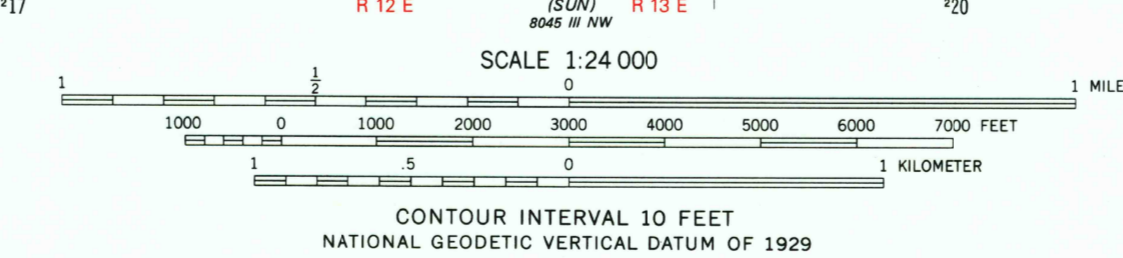
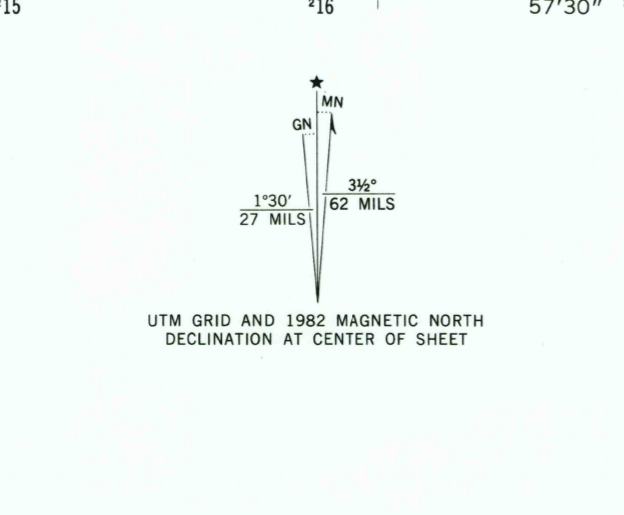


Maped, edited, and published by the Geological Survey
 Control by USGS and NOS/NOAA
 Topography by photogrammetric methods from aerial photographs taken 1977-78. Field checked 1979. Map edited 1982
 Projection and 10,000-foot grid ticks: Louisiana coordinate system, south zone (Lambert conformal conic)
 1000-meter Universal Transverse Mercator grid, zone 16 1927 North American Datum
 To place on the predicted North American Datum 1983 move the projection lines 17 meters south and 7 meters east as shown by dashed corner ticks
 There may be private inholdings within the boundaries of the National or State reservations shown on this map
 Red tint indicates areas in which only landmark buildings are shown
 Fine red dashed lines indicate selected fence and field lines where generally visible on aerial photographs. This information is unchecked



ROAD CLASSIFICATION

- Primary highway, hard surface
- Secondary highway, hard surface
- Light-duty road, hard or improved surface
- Unimproved road
- Interstate Route
- U. S. Route
- State Route

BOGALUSA WEST, LA.
 SW/4 BOGALUSA 15' QUADRANGLE
 N3045-W8952.5/7.5
 1982
 DMA 8045 IV SW-SERIES V885

THIS MAP COMPLIES WITH NATIONAL MAP ACCURACY STANDARDS FOR SALE BY U. S. GEOLOGICAL SURVEY, DENVER, COLORADO 80225, OR RESTON, VIRGINIA 22092 AND STATE OF LOUISIANA, DEPARTMENT OF PUBLIC WORKS, BATON ROUGE, LOUISIANA 70804 A FOLDER DESCRIBING TOPOGRAPHIC MAPS AND SYMBOLS IS AVAILABLE ON REQUEST

LOUISIANA QUADRANGLE LOCATION

USGS HISTORICAL MAP ARCHIVES
 JUL 31 1998
 REC'D FILE COPY

ISBN 0-607-22544-0
 9 780607 225440