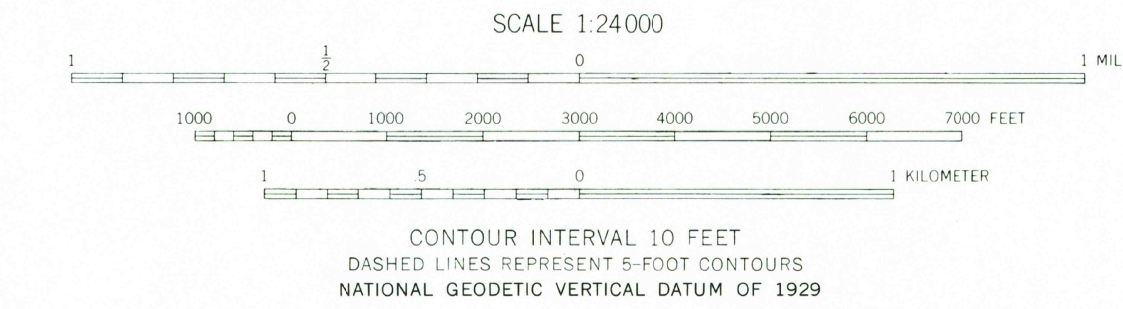
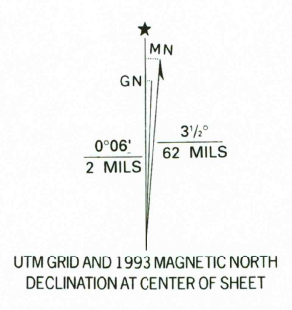


Mapped by the Army Map Service  
Revised by the United States Geological Survey  
Control by USGS and NOS/NOAA  
Topography by photogrammetric methods from aerial photographs  
taken 1953. Field checked 1954  
Projection and 10,000-foot grid ticks: Louisiana coordinate  
system, north zone (Lambert conformal conic)  
1000-meter Universal Transverse Mercator grid ticks, zone 15, shown in blue  
1927 North American Datum (NAD 27)  
North American Datum of 1983 (NAD 83) is shown by dashed corner ticks  
The values of the shift between NAD 27 and NAD 83 for 7.5-minute  
intersections are given in USGS Bulletin 1875  
There may be private inholdings within the boundaries of  
the National or State reservations shown on this map



ROAD CLASSIFICATION

|                                 |   |
|---------------------------------|---|
| Primary highway, hard surface   | Light-duty road, hard or improved surface |
| Secondary highway, hard surface | Unimproved road                           |
| Interstate Route                | U.S. Route                                |
|                                 | State Route                               |

JAN 04 1994  
REVISION FILE COPY

JERICO, LA.  
31092-C7-TF-024  
1954  
REVISED 1993  
DMA 7446 IV SE-SERIES V885  
DEC 1993

COMPLIES WITH U.S. GEOLOGICAL SURVEY STANDARDS FOR SPATIAL ACCURACY - CLASS 2  
FOR SALE BY U.S. GEOLOGICAL SURVEY, DENVER, COLORADO 80225, OR RESTON, VIRGINIA 22092  
AND LOUISIANA DEPARTMENT OF TRANSPORTATION AND DEVELOPMENT, BATON ROUGE, LOUISIANA 70804  
A FOLDER DESCRIBING TOPOGRAPHIC MAPS AND SYMBOLS IS AVAILABLE ON REQUEST