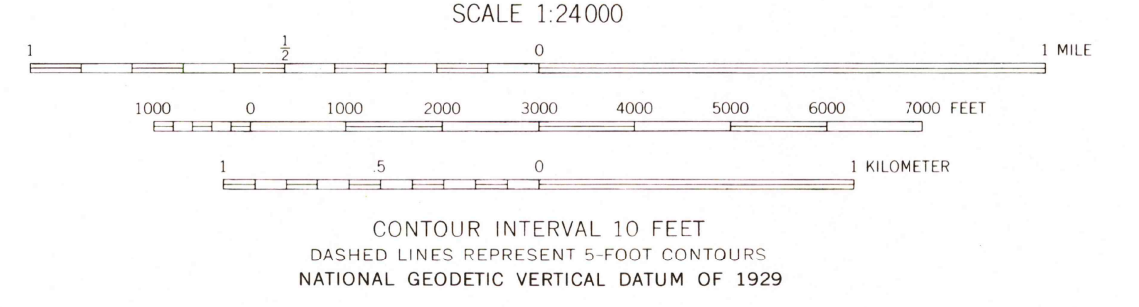
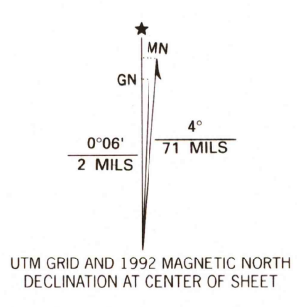


Mapped by the Army Map Service
Published for civil use by the United States Geological Survey
Control by USGS, NOS/NOAA and Louisiana Geodetic Survey
Topography from aerial photographs by photogrammetric methods
Aerial photographs taken 1953. Field checked 1954
Polyconic projection. 1927 North American Datum
10,000-foot grid based on Louisiana coordinate system, north zone
1000-meter Universal Transverse Mercator grid ticks,
zone 15, shown in blue
To place on the predicted North American Datum 1983
move the projection lines 15 meters south and
15 meters east as shown by dashed corner ticks
Area covered by dashed light-blue pattern
is subject to controlled inundation
Dashed land lines indicate approximate locations
Unchecked elevations are shown in brown

Revisions shown in purple compiled by the Geological Survey
in cooperation with State of Louisiana agencies from aerial
photographs taken 1990 and other sources. Contours not revised
This information not field checked. Map edited 1992



ROAD CLASSIFICATION

Primary highway, hard surface	Light duty road, hard or improved surface
Secondary highway, hard surface	Unimproved road
Interstate Route	U. S. Route
	State Route



LENA, LA.
NW 1/4 CHOPIN 15' QUADRANGLE
31092-D7-TF-024
1954
REVISED 1992
DMA 7446 IV NE-SERIES V885

COMPLIES WITH U.S. GEOLOGICAL SURVEY STANDARDS FOR SPATIAL ACCURACY-CLASS 2
FOR SALE BY U.S. GEOLOGICAL SURVEY, DENVER, COLORADO 80225, OR RESTON, VIRGINIA 22092
AND LOUISIANA DEPARTMENT OF TRANSPORTATION AND DEVELOPMENT, BATON ROUGE, LOUISIANA 70804
A FOLDER DESCRIBING TOPOGRAPHIC MAPS AND SYMBOLS IS AVAILABLE ON REQUEST