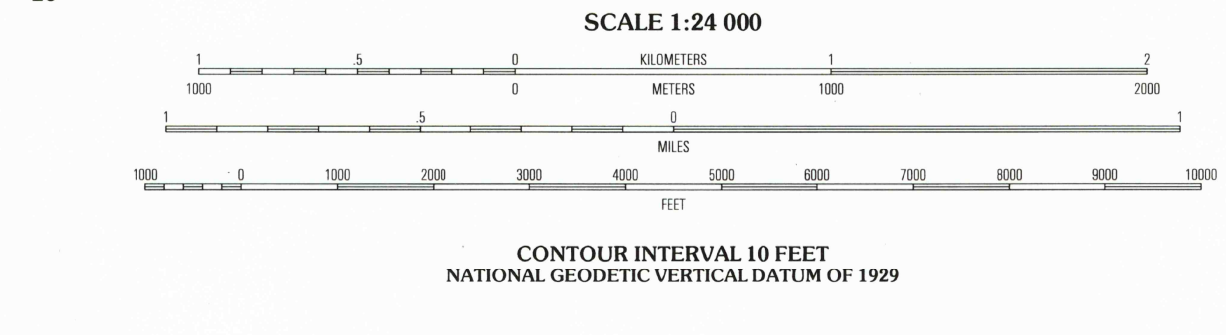
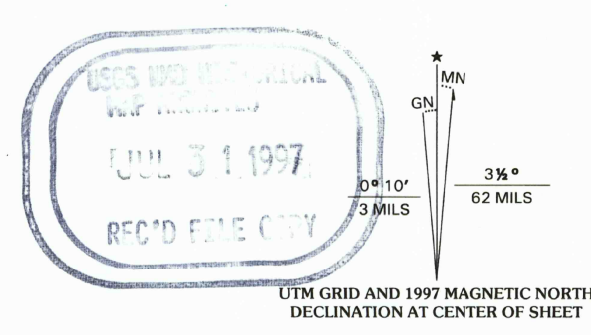


Produced by the United States Geological Survey
Compiled by photogrammetric methods from imagery dated 1982
Field checked 1984. Revised from imagery dated 1994
PLSS and survey control current as of 1984. Map edited 1997
Contours not revised. Contours that conflict with
revised planimetry are dashed
North American Datum of 1983 (NAD 83). Projection and
1 000-meter grid: Universal Transverse Mercator, zone 15
10 000-foot ticks: Louisiana Coordinate System of 1983
(north and south zones)
North American Datum of 1927 (NAD 27) is shown by dashed
corner ticks. The values of the shift between NAD 83 and NAD 27
for 7.5-minute intersections are obtainable from National Geodetic
Survey NADCON software



ROAD CLASSIFICATION

- Primary highway
- hard surface
- Secondary highway
- hard surface
- Light-duty road, hard or improved surface
- Unimproved road
- Interstate Route
- U.S. Route
- State Route

QUADRANGLE LOCATION

1	2	3
4	5	6
7	8	

1 Burn Ferry
2 New Llano
3 Fort Polk
4 Knight
5 Hurricane Branch
6 Neale
7 DeRidder
8 Bonnes Creek

ADJOINING 7.5 QUADRANGLE NAMES

THIS MAP COMPLIES WITH NATIONAL MAP ACCURACY STANDARDS
FOR SALE BY U.S. GEOLOGICAL SURVEY, P.O. BOX 25286, DENVER, COLORADO 80225
AND LOUISIANA DEPARTMENT OF TRANSPORTATION AND DEVELOPMENT, BATON ROUGE, LOUISIANA 70804
A FOLDER DESCRIBING TOPOGRAPHIC MAPS AND SYMBOLS IS AVAILABLE ON REQUEST

ROSEPINE, LA
1994
DMA 7345 IV NE-SERIES V885
9 780607 8569 10