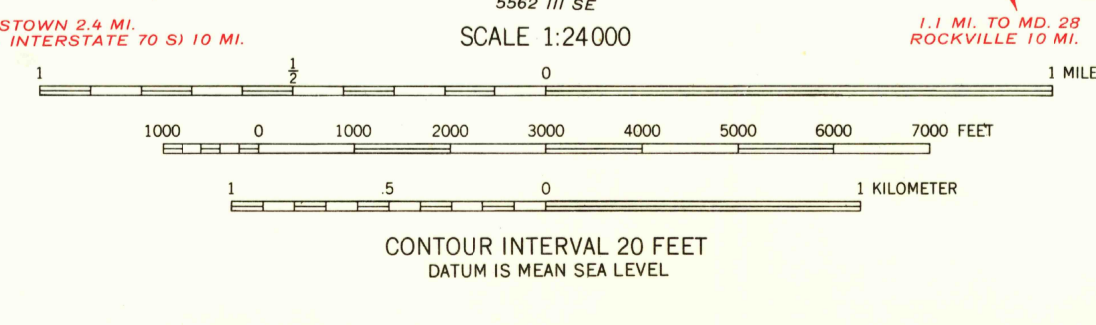
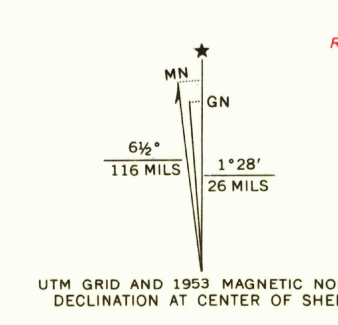


Mapped by the Army Map Service  
Edited and published by the Geological Survey  
Control by USC&GS  
Topography from aerial photographs by KEK plotter  
Aerial photographs taken 1942. Field check 1943  
Revised by the Geological Survey 1953  
Polyconic projection. 1927 North American datum  
10,000-foot grid based on Maryland coordinate system  
1000-meter Universal Transverse Mercator grid ticks,  
zone 18, shown in blue



USGS  
Historical File  
Topographic Division

ROAD CLASSIFICATION

Heavy-duty	Light-duty
Medium-duty	Unimproved dirt

○ Interstate Route    ○ U.S. Route    ○ State Route

MARYLAND  
QUADRANGLE LOCATION

**U.S.G.S.**  
**FMG COPY**  
TOPOGRAPHIC DIVISION

GERMANTOWN, MD.  
NE/4 SENECA 15' QUADRANGLE  
N3907.5-W7715.7.5  
1953  
AMS 5562 III NE—SERIES V833

THIS MAP COMPLIES WITH NATIONAL MAP ACCURACY STANDARDS  
FOR SALE BY U.S. GEOLOGICAL SURVEY, WASHINGTON, D.C. 20242  
A FOLDER DESCRIBING TOPOGRAPHIC MAPS AND SYMBOLS IS AVAILABLE ON REQUEST