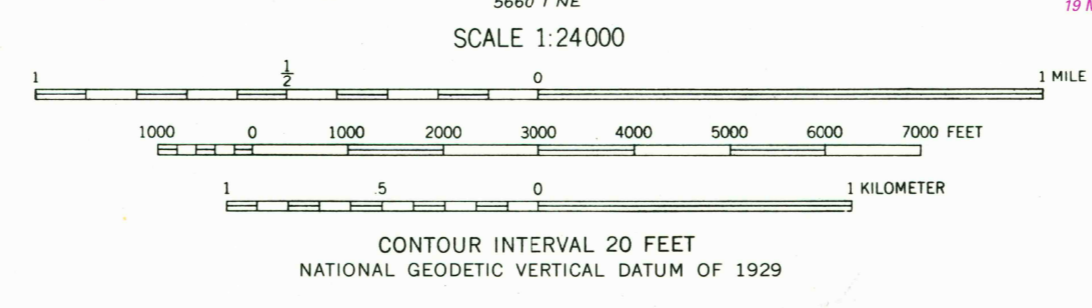
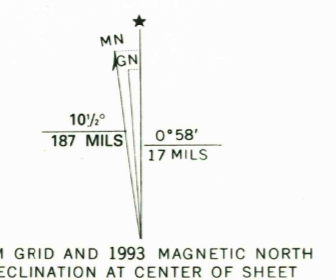


Produced by the United States Geological Survey
Control by USGS, NOS/NOA, and USCE
Planimetry by photogrammetric methods from aerial photographs taken 1953. Topography enlarged from 1:62 500-scale map of Prince Frederick quadrangle. Original map by planetable surveys 1934-35. Revised 1953
Projection and 10,000-foot grid ticks: Maryland coordinate system, (Lambert conformal conic)
1000-meter Universal Transverse Mercator grid ticks, zone 18, shown in blue 1927 North American Datum (NAD 27)
North American Datum of 1983 (NAD 83) is shown by dashed corner ticks
The values of the shift between NAD 27 and NAD 83 for 7.5-minute intersections are given in USGS Bulletin 1875



ROAD CLASSIFICATION

Primary highway, hard surface	Light-duty road, hard or improved surface
Secondary highway, hard surface	Unimproved road

○ Interstate Route □ U.S. Route ○ State Route



COMPLIES WITH U.S. GEOLOGICAL SURVEY STANDARDS FOR SPATIAL ACCURACY—CLASS 2
FOR SALE BY U.S. GEOLOGICAL SURVEY
DENVER, COLORADO 80225, OR RESTON, VIRGINIA 22092
A FOLDER DESCRIBING TOPOGRAPHIC MAPS AND SYMBOLS IS AVAILABLE ON REQUEST

Revisions shown in purple compiled from aerial photographs taken 1988 and other sources. This information not field checked. Map edited 1993
Information shown in purple may not meet USGS content standards and may conflict with previously mapped contours

PRINCE FREDERICK, MD.
SE 1/4 PRINCE FREDERICK 15' QUADRANGLE
38076-E5-TF-024
1953
REVISED 1993
DMA 5661 II SE—SERIES V833

