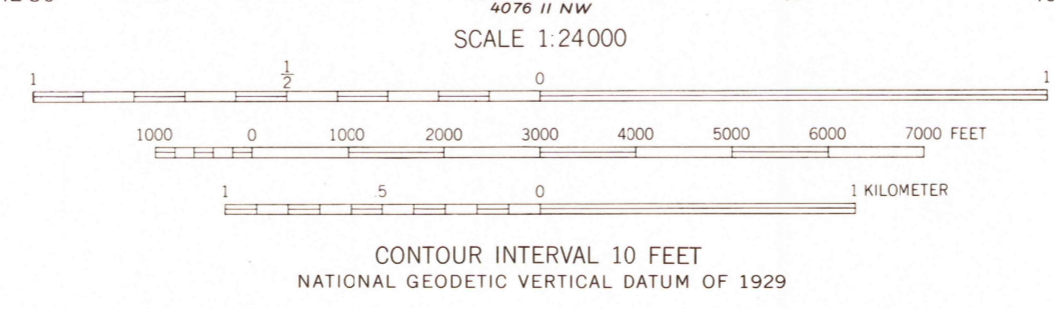
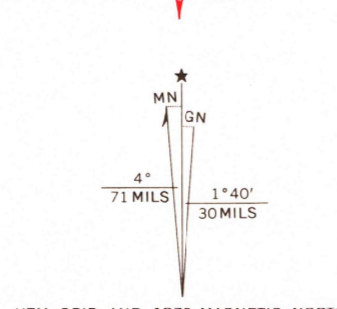


Map by the Army Map Service  
Published for civil use by the Geological Survey  
Control by USCS&GS, USCE, USLS, and IBC  
Topography by photogrammetric methods  
Aerial photographs taken 1950. Field check 1951  
Polyconic projection. 1927 North American datum  
10,000-foot grid based on Michigan coordinate system,  
north zone  
Unchecked elevations are shown in brown  
1000-meter Universal Transverse Mercator grid ticks,  
zone 16, shown in blue  
Revisions shown in purple compiled by the Geological Survey from  
photographs taken 1976. This information not field checked



ROAD CLASSIFICATION

Heavy-duty	4 LANE 16 LANE	Light-duty
Medium-duty	4 LANE 16 LANE	Unimproved dirt

U.S. Route      State Route

USCS  
Historical File  
Topographic Division

RACO, MICH.  
SW/4 BRIMLEY 15' QUADRANGLE  
N4615-W8437.5/7.5

PHOTOREVISED 1976  
AMS 4076 1 SW-SERIES V882

JUL 13 1978

3500

THIS MAP COMPLIES WITH NATIONAL MAP ACCURACY STANDARDS  
FOR SALE BY U.S. GEOLOGICAL SURVEY, RESTON, VIRGINIA 22092  
A FOLDER DESCRIBING TOPOGRAPHIC MAPS AND SYMBOLS IS AVAILABLE ON REQUEST