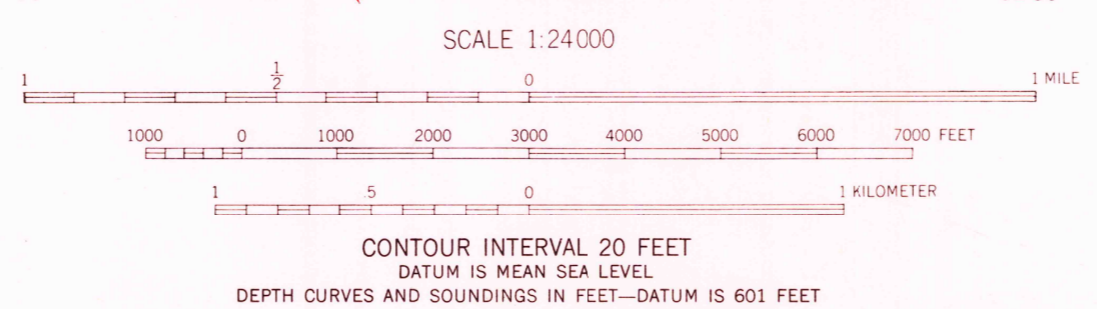


Mapped, edited, and published by the Geological Survey  
Control by USGS and USC&GS  
Topography from aerial photographs by multiplex methods  
Aerial photographs taken 1943-1944. Field check 1948  
Revised 1956  
Hydrography compiled from U. S. Lake Survey chart 95 (1955)  
Polyconic projection. 1927 North American datum  
10,000-foot grid based on Michigan coordinate system, west zone  
1000-meter Universal Transverse Mercator grid ticks,  
zone 16, shown in blue

TRUE NORTH  
MAGNETIC NORTH  
APPROXIMATE MEAN  
DECLINATION, 1956



USGS  
Historical File  
Topographic Division

ROAD CLASSIFICATION	
Medium-duty	Light-duty
Unimproved dirt	State Route



WHITE PINE, MICH.  
SE/4 WHITE PINE 15' QUADRANGLE  
N4645—W8930/7.5

THIS MAP COMPLIES WITH NATIONAL MAP ACCURACY STANDARDS  
FOR SALE BY U. S. GEOLOGICAL SURVEY, WASHINGTON 25, D. C.  
A FOLDER DESCRIBING TOPOGRAPHIC MAPS AND SYMBOLS IS AVAILABLE ON REQUEST

1956

U.S.G.S.  
FILE COPY  
TOPOGRAPHIC DIVISION

FEB 20 1958

1915