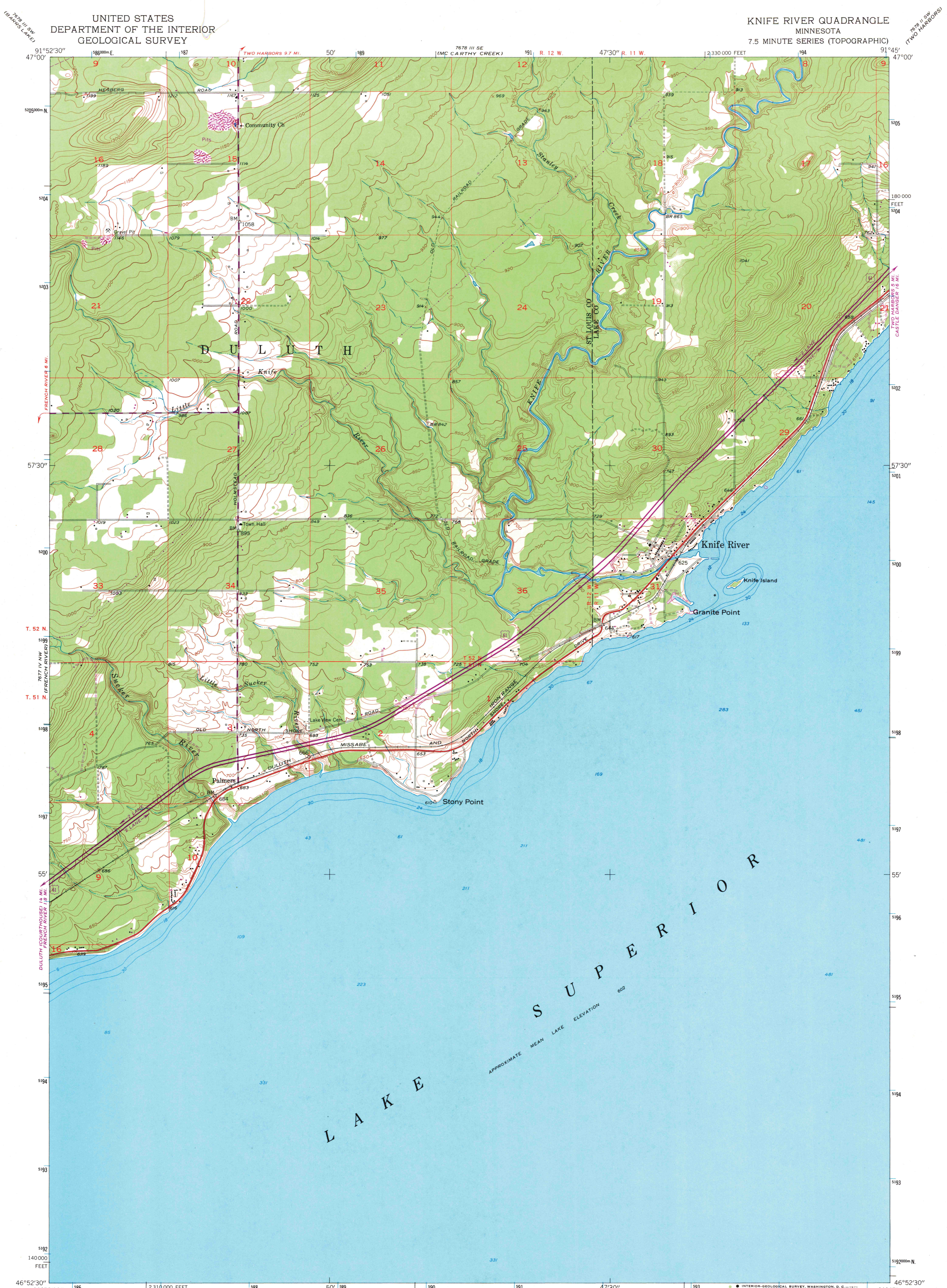


UNITED STATES
DEPARTMENT OF THE INTERIOR
GEOLOGICAL SURVEY

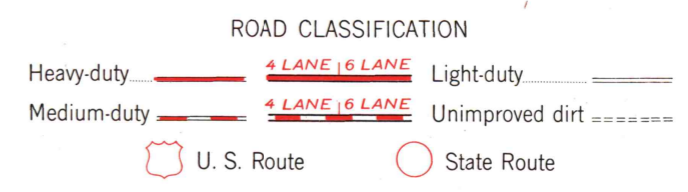
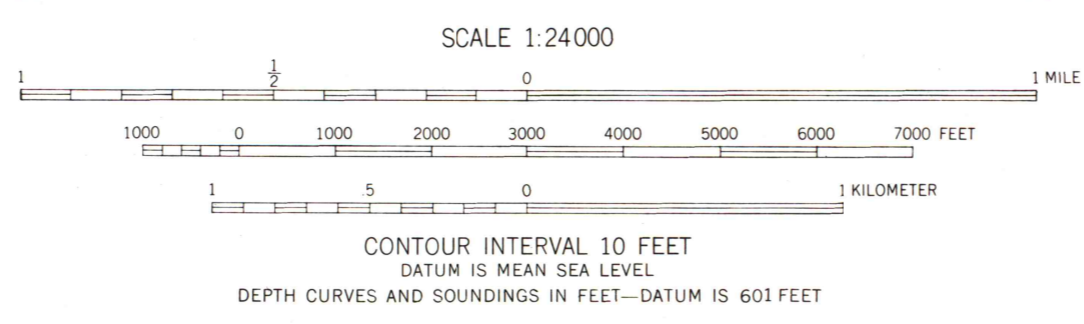
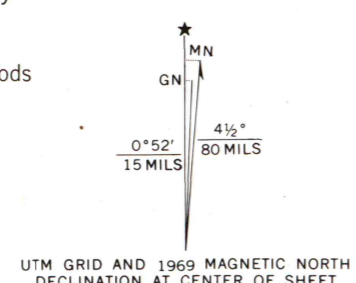
KNIFE RIVER QUADRANGLE
MINNESOTA
7.5 MINUTE SERIES (TOPOGRAPHIC)



Mapped, edited, and published by the Geological Survey
Control by USGS and USC&GS

Topography from aerial photographs by photogrammetric methods
Aerial photographs taken 1952. Field check 1953
Hydrography from U. S. Lake Survey Chart 96, (1:120,000)
Polyconic projection. 1927 North American datum
10,000-foot grid based on Minnesota coordinate system,
north zone
1000-meter Universal Transverse Mercator grid ticks,
zone 15, shown in blue

Revisions shown in purple compiled in cooperation with the
State of Minnesota from aerial photographs taken 1969
This information not field checked



KNIFE RIVER, MINN.
N4652.5—W9145/7.5

THIS MAP COMPLIES WITH NATIONAL MAP ACCURACY STANDARDS
FOR SALE BY U. S. GEOLOGICAL SURVEY, DENVER, COLORADO 80225 OR WASHINGTON, D. C. 20242
A FOLDER DESCRIBING TOPOGRAPHIC MAPS AND SYMBOLS IS AVAILABLE ON REQUEST

FEB 17 1971

1953
PHOTOREVISED 1969