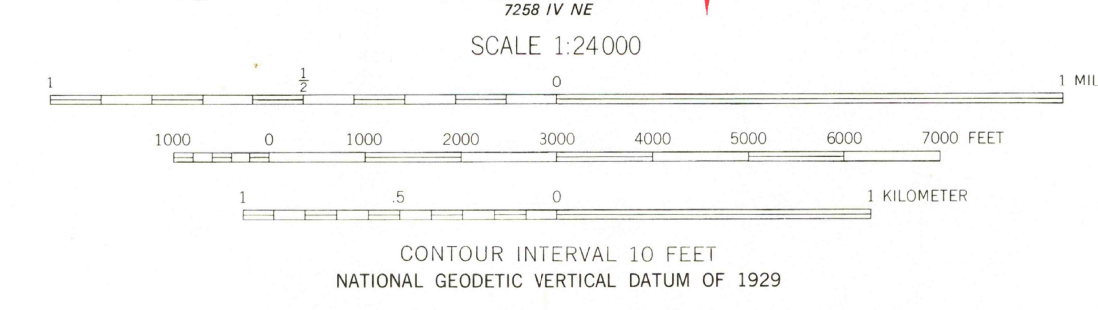
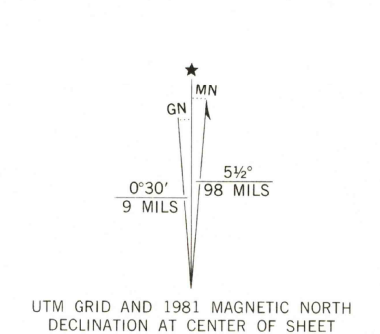


Mapped, edited, and published by the Geological Survey as part of the Department of the Interior program for the development of the Missouri River Basin Control by USGS and USC&GS
Topography from aerial photographs by multiplex methods
Aerial photographs taken 1950. Field check 1956
Polyconic projection. 1927 North American datum 10,000-foot grid based on Missouri coordinate system, west zone 1000-meter Universal Transverse Mercator grid ticks, zone 15, shown in blue
To place on the predicted North American Datum 1983 move the projection lines 2 meters south and 18 meters east as shown by dashed corner ticks
There may be private inholdings within the boundaries of the National or State reservations shown on this map



ROAD CLASSIFICATION

Primary highway, hard surface	Light-duty road, hard or improved surface
Secondary highway, hard surface	Unimproved road

○ Interstate Route □ U.S. Route ○ State Route



THIS MAP COMPLIES WITH NATIONAL MAP ACCURACY STANDARDS FOR SALE BY U. S. GEOLOGICAL SURVEY, DENVER, COLORADO 80225, OR RESTON, VIRGINIA 22092, AND THE DIVISION OF GEOLOGY AND LAND SURVEY MISSOURI DEPARTMENT OF NATURAL RESOURCES, ROLLA, MISSOURI 65401 A FOLDER DESCRIBING TOPOGRAPHIC MAPS AND SYMBOLS IS AVAILABLE ON REQUEST

Revisions shown in purple compiled from aerial photographs taken 1980. Map edited 1981. This information not field checked.

RETURN TO:
USGS AND HISTORICAL MAP ARCHIVES

CRISP, MO.
N3730-W9345/7.5
1956
PHOTOREVISED 1981
DMA 7259 III SE-SERIES 1679

APR 15 1982

210