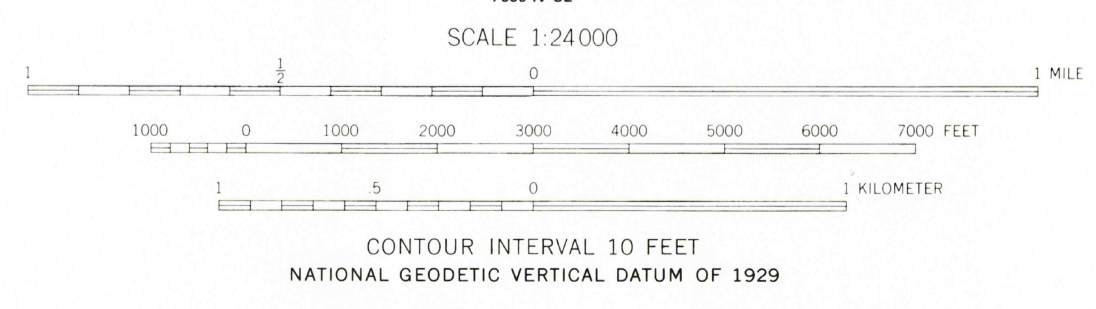
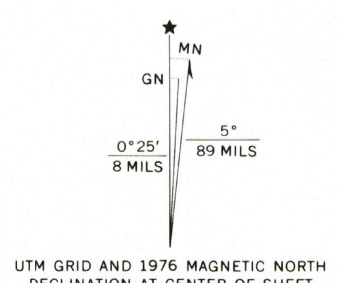




Mapped by the Army Map Service
Published for civil use by the Geological Survey
Control by USGS, USC&GS, and USCE
Topography from aerial photographs by photogrammetric methods
Aerial photographs taken 1953. Field check 1954
Polyconic projection. 1927 North American datum
10,000-foot grid based on Missouri coordinate system, central zone
1000-meter Universal Transverse Mercator grid ticks.
zone 15, shown in blue
Unchecked elevations are shown in brown
Revisions shown in purple compiled by the Geological Survey from
aerial photographs taken 1976. This information not field checked



ROAD CLASSIFICATION
Medium-duty ——— Light-duty ———
Unimproved dirt - - - - - State Route (circle)
FEB 17 1978

THIS MAP COMPLIES WITH NATIONAL MAP ACCURACY STANDARDS
FOR SALE BY U.S. GEOLOGICAL SURVEY, DENVER, COLORADO 80225, OR RESTON, VIRGINIA 22092,
AND THE DIVISION OF RESEARCH AND TECHNICAL INFORMATION
MISSOURI DEPARTMENT OF NATURAL RESOURCES, ROLLA, MISSOURI 65401
A FOLDER DESCRIBING TOPOGRAPHIC MAPS AND SYMBOLS IS AVAILABLE ON REQUEST

USGS
Historical File
Topographic Division

CROCKER, MO.
NE 1/4 RICHLAND 15' QUADRANGLE
N 3752.5—W 9215.7
1954
PHOTOREVISED 1976
AMS 7559 IV NE—SERIES V879

3300