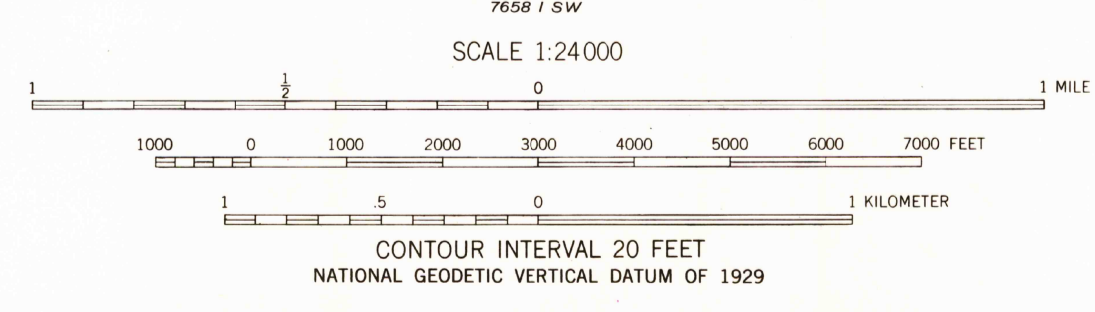
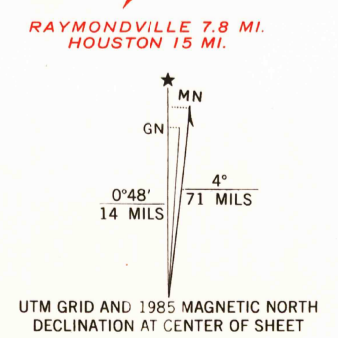


Mapped, edited, and published by the Geological Survey
Control by USGS and USC&GS
Topography from aerial photographs by multiplex methods
Aerial photographs taken 1949. Field check 1951
Polyconic projection. 1927 North American datum
10,000-foot grids based on Missouri coordinate system,
east and central zones
1000-meter Universal Transverse Mercator grid ticks,
zone 15, shown in blue
To place on the predicted North American Datum 1983,
move the projection lines 2 meters south and
13 meters east as shown by dashed corner ticks
There may be private inholdings within the boundaries of
the National or State reservations shown on this map
Revisions shown in purple compiled from aerial photographs taken 1982 and
other sources. This information not field checked. Map edited 1985



ROAD CLASSIFICATION
Medium-duty ——— Light-duty ———
Unimproved dirt - - - - - State Route ○
MONTAUK, MO.
37091-D6-TF-024

1951
PHOTOREVISED 1985
DMA 7658 1 NW-SERIES V879

