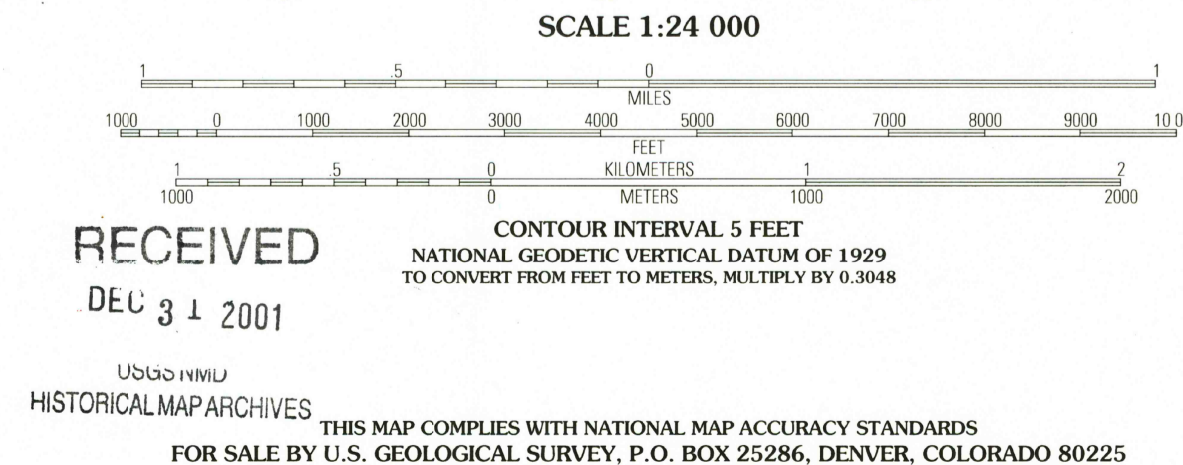
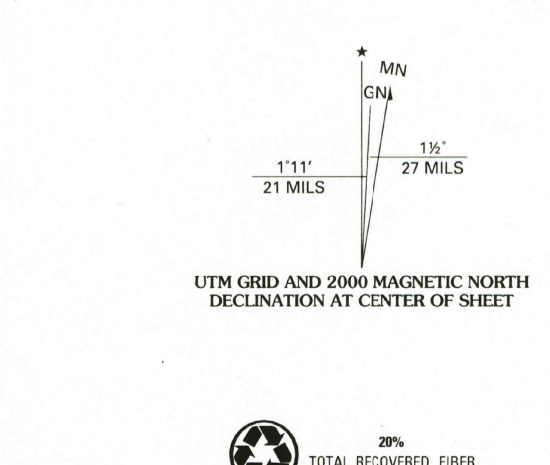


Produced by the United States Geological Survey 1988  
Revision by USDA Forest Service 2000  
Topography compiled 1982. Planimetry derived from imagery taken 1996 and other sources. Public Land Survey System and survey control current as of 2000  
North American Datum of 1927 (NAD 27). Projection and 10 000-foot ticks: Mississippi coordinate system, west zone (transverse Mercator)  
Blue 1000-meter Universal Transverse Mercator ticks, zone 15  
North American Datum of 1983 (NAD 83) is shown by dashed corner ticks  
The values of the shift between NAD 27 and NAD 83 for 7.5-minute intersections are obtainable from National Geographic Survey NADCON software  
Non-National Forest System lands within the National Forest  
Inholdings may exist in other National or State reservations  
This map is not a legal land line or ownership document. Public lands are subject to change and leasing, and may have access restrictions; check with local offices. Obtain permission before entering private lands  
Areas covered by dashed light-blue pattern are subject to controlled inundation



**QUADRANGLE LOCATION**

**HIGHWAYS AND ROADS**

Interstate	5	Primary highway	—
U. S.	100	Secondary highway	—
State	78	Light-duty road	—
County	6	Composition: Unspecified	—
National Forest, suitable for passenger cars	100	Paved	—
National Forest, suitable for high clearance vehicles	100	Gravel	—
National Forest Trail	384	Dirt	—
		Unimproved; 4 wheel drive	—
		Trail	—
		Gate/Barrier	—

**VALLEY PARK, MS**  
**2000**  
32090-F7-TF-024  
NIMA 2849 III N-E-SERIES V842

