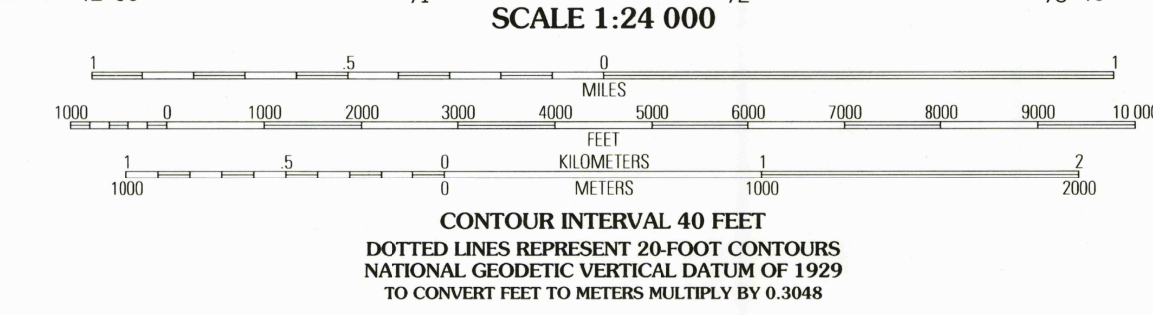
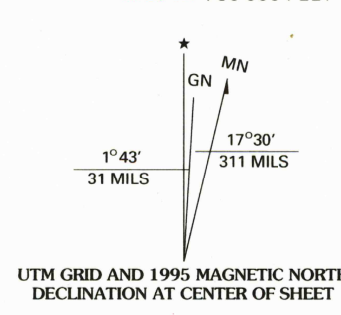


USGS AND HISTORICAL
MAP ARCHIVES
JUN 30 1997
REC'D FILE COPY

ISBN 0-607-67176-8
9 780607 181760

Produced by the U.S. Geological Survey
Revised by the U.S. Forest Service
Areas outside the National Forest System lands may not have been revised
Control by USGS and USC&GS
Compiled from aerial photographs taken 1956. Revised from aerial
photographs taken 1991. Partial field check by U.S. Forest Service 1994
North American Datum of 1927 (NAD 27). Projection and 10 000-foot ticks:
Montana coordinate system, north zone (Lambert conformal conic). Blue
1000-meter Universal Transverse Mercator ticks, zone 11
North American Datum of 1983 (NAD 83) is shown by dashed corner ticks
The values of the shift between NAD 27 and NAD 83 for 7.5-minute
intersections are obtainable from National Geodetic Survey NADCON software
Non-National Forest System lands within the National Forest
Inholdings may exist in other National or State reservations
This map is not a legal land line or ownership document. Public lands are
subject to change and leasing, and may have access restrictions; check
with local offices. Obtain permission before entering private lands



1	2	3	1 Dunsire Point
4	5	2 Johnson Peak	3 Tolly Lake
6	7	4 Sylvia Lake	5 Lost Creek Divide
8	8	6 Dahl Lake	7 Pleasant Valley Mountain
			8 Lone Lake

HIGHWAYS AND ROADS

Interstate	5	Primary highway	—
U. S.	10	Secondary highway	—
State	20	Light-duty road	—
County	6	Paved	—
National Forest, suitable for passenger cars	105	Gravel	—
National Forest, suitable for high clearance vehicles	110	Dirt	—
National Forest Trail	384	Composition unspecified	—
		Unimproved; 4 wheel drive	— 4WD
		Trail	—
		Gate	—

ASHLEY MOUNTAIN, MONT.
48114 C6 TF-024
1994
DMA 3080 1 SW - SERIES W994

THIS MAP COMPLIES WITH NATIONAL MAP ACCURACY STANDARDS
FOR SALE BY U.S. GEOLOGICAL SURVEY
DENVER, COLORADO 80225 OR RESTON, VIRGINIA 22092
A FOLDER DESCRIBING TOPOGRAPHIC MAPS AND SYMBOLS IS AVAILABLE ON REQUEST