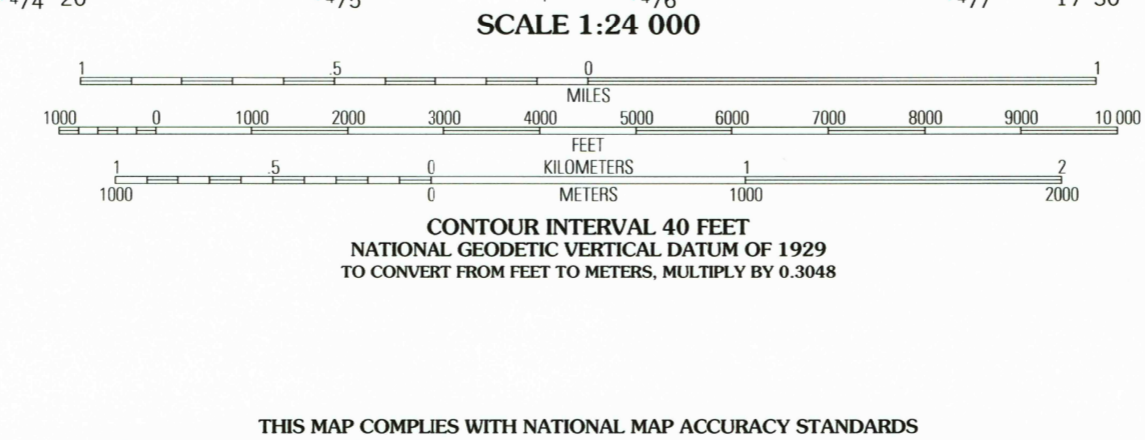
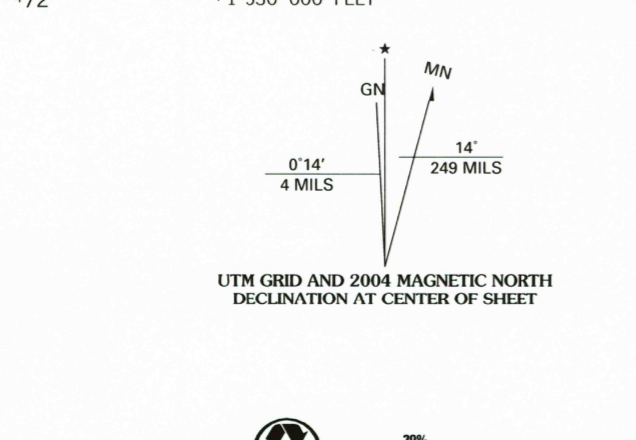


Produced by the United States Geological Survey 1986
Revision by USDA Forest Service 2001
Topography compiled 1980. Planimetry derived from imagery taken 1995 and other sources. Public Land Survey System and survey control current as of 2002. Boundaries current as of 2002
North American Datum of 1927 (NAD 27). Projection and 10 000-foot ticks: Montana coordinate system, south zone (Lambert conformal conic)
Blue 1000-meter Universal Transverse Mercator ticks, zone 12
North American Datum of 1983 (NAD 83) is shown by dashed corner ticks
The values of the shift between NAD 27 and NAD 83 for 7.5-minute intersections are obtainable from National Geodetic Survey NADCON software
Non-National Forest System lands within the National Forest
Inholdings may exist in other National or State reservations
This map is not a legal land line or ownership document. Public lands are subject to change and leasing, and may have access restrictions; check with local offices. Obtain permission before entering private lands



HIGHWAYS AND ROADS

Interstate	1-6	Primary highway	1-6
U. S.	1-99	Secondary highway	1-6
State	1-99	Light-duty road	1-6
County	1-99	Composition: Unspecified	1-6
National Forest, suitable for passenger cars	101-149	Paved	1-6
National Forest, suitable for high clearance vehicles	150-199	Gravel	1-6
National Forest Trail	384	Dirt	1-6
		Unimproved; 4 wheel drive	1-6
		Trail	1-6
		Gate; Barrier	1-6

QUADRANGLE LOCATION

1	2	3	1 Holter
4	5	6	2 Lippert Gulch
6	7	8	3 Sulphur Bar Creek
			4 Toston
			5 Sixmile Mountain
			6 Lombard
			7 Box Gulch
			8 Mauldow

USGS Library
Reston, VA
Topo Archive

ISBN 0-607-07535-5
9 780607 975352

1818 00422504 9

DEER PARK, MT
2001
46111-B3-TF-024
NIMA 3776 III NE-SERIES V894

THIS MAP COMPLIES WITH NATIONAL MAP ACCURACY STANDARDS
FOR SALE BY U.S. GEOLOGICAL SURVEY, P.O. BOX 25286, DENVER, COLORADO 80225
A FOLDER DESCRIBING TOPOGRAPHIC MAPS AND SYMBOLS IS AVAILABLE ON REQUEST