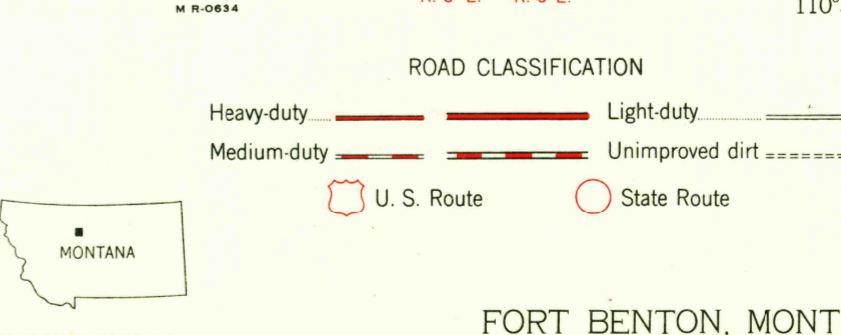
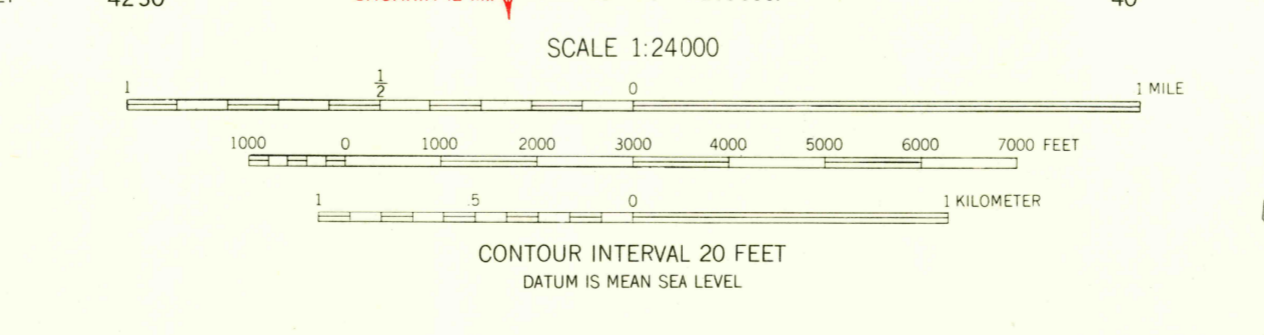
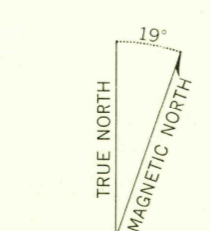


U.S.G.S.
FILE COPY
TOPOGRAPHIC DIVISION

Maped, edited, and published by the Geological Survey as part of the Department of Interior program for the development of the Missouri River Basin Control by USGS, USC&GS, and MRC
Topography from aerial photographs by multiplex methods and by planetable surveys 1954. Aerial photographs taken 1952
Polyconic projection. 1927 North American datum 10,000-foot grid based on Montana coordinate system, north zone



FORT BENTON, MONT.
N4745-W11037.5/7.5

1954

THIS MAP COMPLIES WITH NATIONAL MAP ACCURACY STANDARDS.
FOR SALE BY U.S. GEOLOGICAL SURVEY, FEDERAL CENTER, DENVER, COLORADO, OR WASHINGTON 25, D. C.
A FOLDER DESCRIBING TOPOGRAPHIC MAPS AND SYMBOLS IS AVAILABLE ON REQUEST

U.S.G.S.
FILE COPY
TOPOGRAPHIC DIVISION

USGS
Historical File
Topographic Division

JAN 19 1956