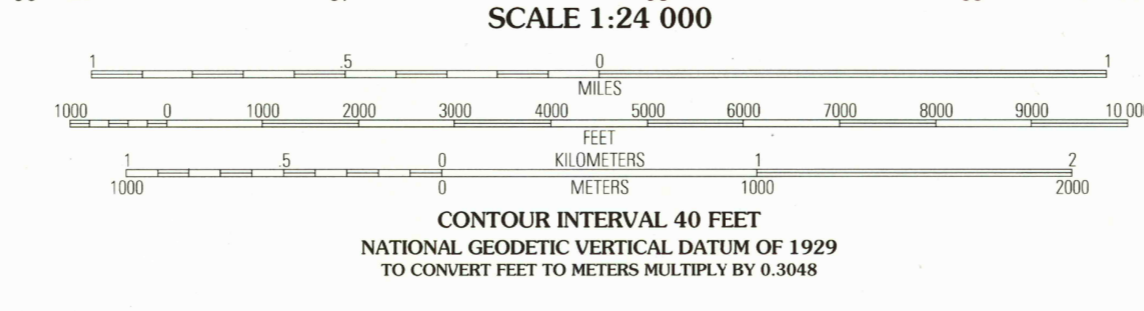
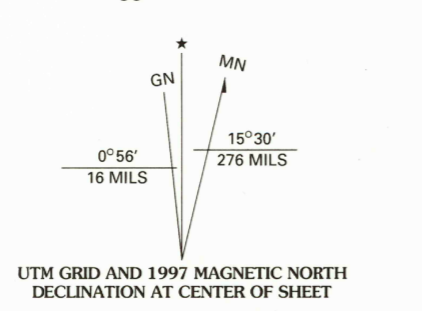


Produced by the U.S. Geological Survey
Revised by the U.S. Forest Service
Areas outside the National Forest System lands may not have been revised
Topography compiled 1960. Planimetry derived from imagery taken 1987
Public Land Survey System and survey control current as of 1996. Partial
field check by U.S. Forest Service 1996
North American Datum of 1927 (NAD 27). Projection and 10 000-foot ticks:
Montana coordinate system, south zone (Lambert conformal conic)
Blue 1000-meter Universal Transverse Mercator ticks, zone 12
North American Datum of 1983 (NAD 83) is shown by dashed corner ticks
The values of the shift between NAD 27 and NAD 83 for 7.5-minute
intersections are obtainable from National Geodetic Survey NADCON software
Non-National Forest System lands within the National Forest
Inholdings may exist in other National or State reservations
This map is not a legal land line or ownership document. Public lands are
subject to change and leasing, and may have access restrictions; check
with local offices. Obtain permission before entering private lands



1	2	3	1 Homestead
2	3	4	2 Delmore Lake
3	4	5	3 Dry Mountain
4	5	6	4 Pipestone Pass
5	6	7	5 Vendome
6	7	8	6 Table Mountain
7	8		7 Silver Star
8			8 Waterloo

- HIGHWAYS AND ROADS
- Interstate 1
 - U. S. 2
 - State 3
 - County 4
 - National Forest, suitable for passenger cars 5
 - National Forest, suitable for high clearance vehicles 6
 - National Forest Trail 7
 - Primary highway 8
 - Secondary highway 9
 - Light-duty road 10
 - Composition: Unspecified 11
 - Paved 12
 - Gravel 13
 - Dirt 14
 - Unimproved; 4 wheel drive 15
 - Trail 16
 - Gate; Barrier 17

RECEIVED
JAN 31 1999
USGS/NMAD
HISTORICAL MAP ARCHIVES
GRACE, MT
1996
NIMA 3575 IV SE - SERIES V894