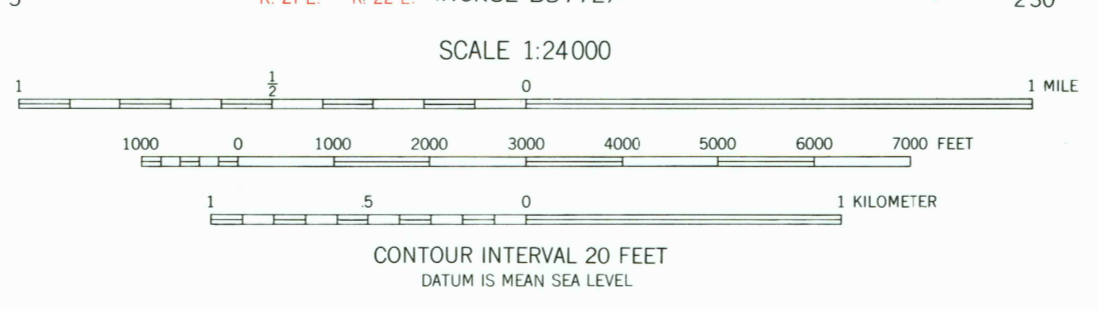
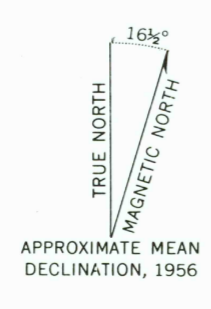




Mapped, edited, and published by the Geological Survey as part of the Department of the Interior program for the development of the Missouri River Basin
Control by USGS and USC&GS
Topography from aerial photographs by multiplex methods and by planetable surveys 1956. Aerial photographs taken 1951
Polyconic projection. 1927 North American datum
10,000-foot grid based on Montana coordinate system, south zone
1000-meter Universal Transverse Mercator grid ticks, zone 12, shown in blue
Dashed land lines indicate approximate locations



ROAD CLASSIFICATION
Light-duty _____ Unimproved dirt _____

HUNTER LAKE, MONT.
N4545—W10900/7.5
1956

THIS MAP COMPLIES WITH NATIONAL MAP ACCURACY STANDARDS
FOR SALE BY U.S. GEOLOGICAL SURVEY
DENVER, COLORADO 80225, OR RESTON, VIRGINIA 22092
A FOLDER DESCRIBING TOPOGRAPHIC MAPS AND SYMBOLS IS AVAILABLE ON REQUEST

USGS AND HISTORICAL
MAP ARCHIVES
NOV 22 1995
REC'D FILE COPY

