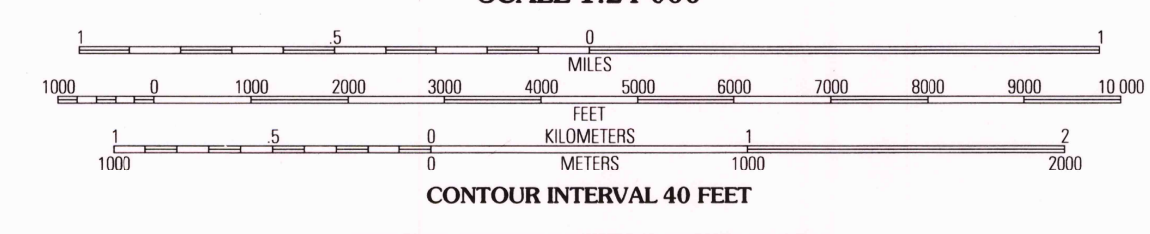
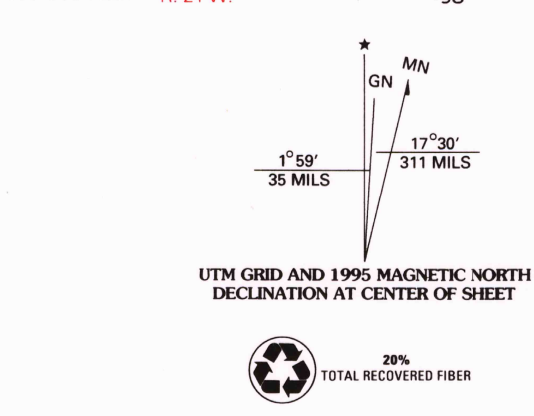


RECEIVED
NOV 07 2002
USGS NMD
HISTORICAL MAP ARCHIVES



Produced by the U.S. Geological Survey
Revised by the U.S. Forest Service
Areas outside the National Forest System lands may not have been revised.
Control by USGS and USFS
Compiled from aerial photographs taken 1956 and 1958. Revised from aerial photographs taken 1990. Partial field check by U.S. Forest Service 1994.
North American Datum of 1927 (NAD 27). Projection and 10 000-foot ticks: Montana coordinate system, north zone (Lambert conformal conic). Blue 1000-meter Universal Transverse Mercator ticks, zone 11.
North American Datum of 1983 (NAD 83) is shown by dashed corner ticks. The values of the shift between NAD 27 and NAD 83 for 7.5-minute intersections are obtainable from National Geodetic Survey NADCON software.
Non-National Forest System lands within the National Forest. Inholdings may exist in other National or State reservations.
This map is not a legal land line or ownership document. Public lands are subject to change and leasing, and may have access restrictions; check with local offices. Obtain permission before entering private lands.



1	2	3	1 Blue Grass Ridge
			2 Kallispell
			3 Creston
4	5		4 Kila
			5 Somers
			6 Lake Mary Ronan
			7 Proctor
6	7	8	8 Rollins

ADJOINING 7.5' QUADRANGLES

HIGHWAYS AND ROADS

Interstate	5	Primary highway	—
U. S.	105	Secondary highway	—
State	10	Light-duty road	—
County	10	Paved	—
National Forest, suitable for passenger cars	105	Gravel	—
National Forest, suitable for high clearance vehicles	105	Dirt	—
National Forest Trail	384	Composition unspecified	—
		Unimproved; 4 wheel drive	—
		Trail	—
		Gate	—

THIS MAP COMPLIES WITH NATIONAL MAP ACCURACY STANDARDS
FOR SALE BY U.S. GEOLOGICAL SURVEY
P.O. BOX 25286, DENVER, COLORADO 80225
A FOLDER DESCRIBING TOPOGRAPHIC MAPS AND SYMBOLS IS AVAILABLE ON REQUEST

LION MOUNTAIN, MONT.
48114-A3-TF-024
1994
DMA 3180 III SE - SERIES V894