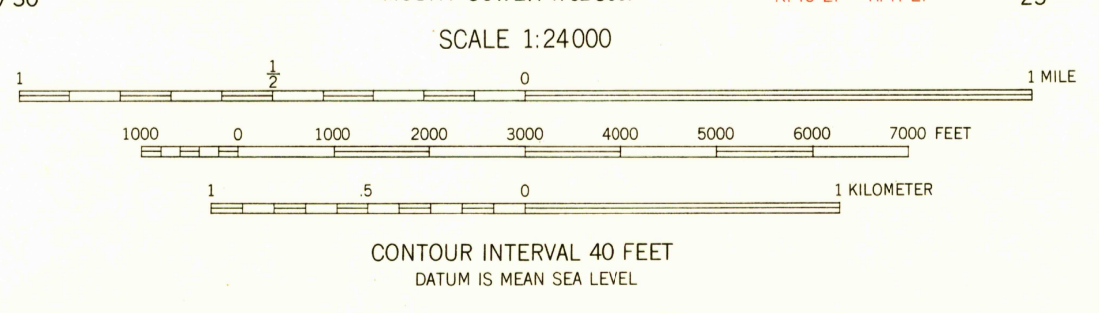
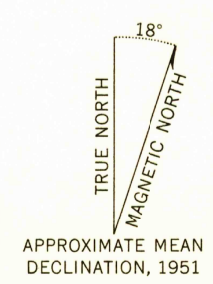




U.S.G.S.
FILE COPY
Inspection and Editing

U.S.G.S.
FILE COPY
Inspection and Editing

Mapped, edited, and published by the Geological Survey as part of the Department of the Interior program for the development of the Missouri River Basin Control by USGS and USC&GS
Topography from aerial photographs by multiplex methods
Aerial photographs taken 1948. Field check 1951
Polyconic projection. 1927 North American datum
10,000-foot grid based on Montana coordinate system, south zone
Dashed land lines indicate approximate locations
Land lines unsurveyed in T. 3 S. - R. 10 E., T. 4 S. - R. 11 E., and in part of T. 3 S. - R. 11 E.



ROAD CLASSIFICATION

Heavy-duty	4 LANE 6 LANE	Light-duty	2 LANE 4 LANE
Medium-duty	4 LANE 6 LANE	Unimproved dirt	-----
U. S. Route	○	State Route	○

LIVINGSTON PEAK, MONT.
N4530-W11022.5/7.5
1951